

APPLICATIONS - Designed to provide protection from accidental contact with enclosed apparatus.

CONSTRUCTION - Fabricated from 12, 14 or 16 gauge carbon steel. Also available with or without removable concentric knockouts.

FINISH - Standard RAL 7035 texture polyester powder coat finish on interior and exterior of enclosures. Recoatable, smooth, white or ANSI-61 gray available at no charge. Standard RAL and custom match finishes available for an additional charge, please contact Schaefer's Electrical Enclosures, Inc. for further assistance.

All powder coat finishes applied over cleaned phosphatized surfaces.

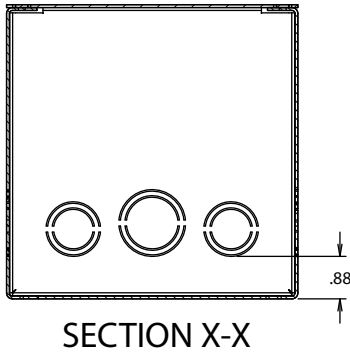
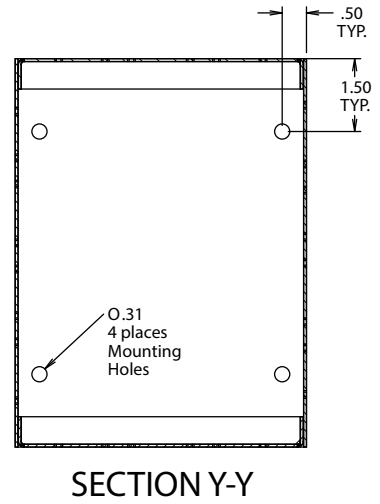
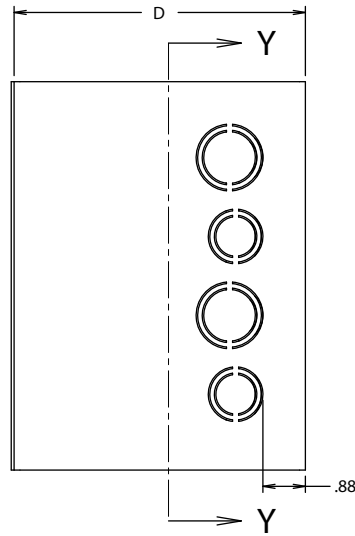
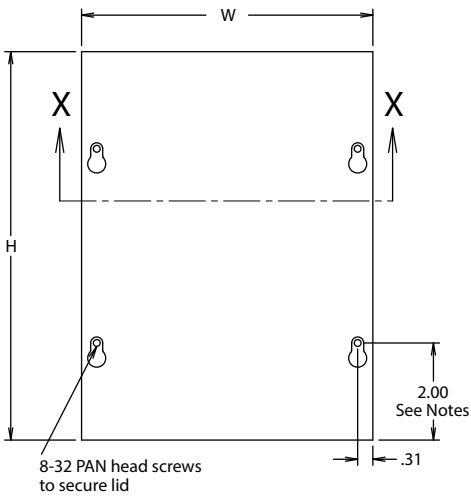
OPTIONS - Schaefer's Electrical Enclosures, Inc. can modify standard enclosures or custom design enclosures according to your specifications. Sizes and many more options are available. Quotations upon request.

INDUSTRY STANDARDS

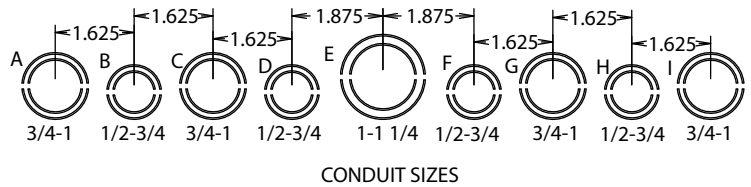
- UL 50 Listed
- Type 1

Catalog Number with Knockouts	Catalog Number without Knockouts	Enclosure Size H x W x D (inches)	Gauge	Shpg. Wt.	# of Cover Screws	"Knockout Pattern along "H" Side"	"Knockout Pattern along "W" Side"
SPSC-444	SPSC-444N	4 x 4 x 4	16	3	2	B-C	B-C
SPSC-644	SPSC-644N	6 x 4 x 4	16	3	2	B-C-D	B-C
SPSC-664	SPSC-664N	6 x 6 x 4	16	4	2	B-C-D	B-C-D
SPSC-864	SPSC-864N	8 x 6 x 4	16	5	2	F-G-H-I	B-C-D
SPSC-1264	SPSC-1264N	12 x 6 x 4	16	6	4	C-D-E-F-G	B-C-D
SPSC-884	SPSC-884N	8 x 8 x 4	16	6	4	F-G-H-I	F-G-H-I
SPSC-1084	SPSC-1084N	10 x 8 x 4	16	6	4	F-G-H-I	F-G-H-I
SPSC-1284	SPSC-1284N	12 x 8 x 4	16	7	4	C-D-E-F-G	F-G-H-I
SPSC-10104	SPSC-10104N	10 x 10 x 4	16	8	4	F-G-H-I	C-D-E-F-G
SPSC-12104	SPSC-12104N	12 x 10 x 4	16	8	4	C-D-E-F-G	C-D-E-F-G
SPSC-12124	SPSC-12124N	12 x 12 x 4	16	10	4	C-D-E-F-G	C-D-E-F-G
SPSC-18124	SPSC-18124N	18 x 12 x 4	16	13	4	A-B-C-D-E-F-G-H-I	C-D-E-F-G
SPSC-15154	SPSC-15154N	15 x 15 x 4	16	13	4	B-C-D-E-F-G-H	B-C-D-E-F-G-H
SPSC-18154	SPSC-18154N	18 x 15 x 4	16	15	4	A-B-C-D-E-F-G-H-I	B-C-D-E-F-G-H
SPSC-18184	SPSC-18184N	18 x 18 x 4	16	18	4	A-B-C-D-E-F-G-H-I	A-B-C-D-E-F-G-H-I
SPSC-666	SPSC-666N	6 x 6 x 6	16	5	2	B-C-D	B-C-D
SPSC-866	SPSC-866N	8 x 6 x 6	16	6	4	F-G-H-I	B-C-D
SPSC-1266	SPSC-1266N	12 x 6 x 6	16	7	4	C-D-E-F-G	B-C-D
SPSC-886	SPSC-886N	8 x 8 x 6	16	7	4	F-G-H-I	F-G-H-I
SPSC-1086	SPSC-1086N	10 x 8 x 6	16	8	4	F-G-H-I	F-G-H-I
SPSC-1286	SPSC-1286N	12 x 8 x 6	16	9	4	C-D-E-F-G	F-G-H-I
SPSC-10106	SPSC-10106N	10 x 10 x 6	16	9	4	F-G-H-I	C-D-E-F-G
SPSC-12106	SPSC-12106N	12 x 10 x 6	16	10	4	C-D-E-F-G	C-D-E-F-G
SPSC-12126	SPSC-12126N	12 x 12 x 6	16	12	4	C-D-E-F-G	C-D-E-F-G
SPSC-18126	SPSC-18126N	18 x 12 x 6	16	16	4	A-B-C-D-E-F-G-H-I	C-D-E-F-G
SPSC-18186	SPSC-18186N	18 x 18 x 6	16	20	4	A-B-C-D-E-F-G-H-I	A-B-C-D-E-F-G-H-I
SPSC-24186	SPSC-24186N	24 x 18 x 6	14	32	4	A-B-C-D-E-F-G-H-I	A-B-C-D-E-F-G-H-I
SPSC-24246	SPSC-24246N	24 x 24 x 6	14	39	4	A-B-C-D-E-F-G-H-I	A-B-C-D-E-F-G-H-I
SPSC-30246	SPSC-30246N	30 x 24 x 6	14	49	6	A-B-C-D-E-F-G-H-I	A-B-C-D-E-F-G-H-I
SPSC-24248	SPSC-24248N	24 x 24 x 8	14	47	4	A-B-C-D-E-F-G-H-I	A-B-C-D-E-F-G-H-I
N/A	SPSC-30248N	30 x 24 x 8	14	55	6	-	-
N/A	SPSC-30308N	30 x 30 x 8	14	81	6	-	-
N/A	SPSC-36248N	36 x 24 x 8	14	62	6	-	-
N/A	SPSC-36308N	36 x 30 x 8	12	100	6	-	-
N/A	SPSC-363612N	36 x 36 x 12	12	128	8	-	-

SPSC



KNOCKOUT PATTERN (outside view)



NOTES:

1. 2" when H of tub is 11" and less.
3" when H of tub is 12" and greater.
2. Lid will be secured with 2 screws centered in H of tub when H of tub is 6 or less.
3. Schaefer's Electrical Enclosures, Inc. standardly provides concentric knockouts.