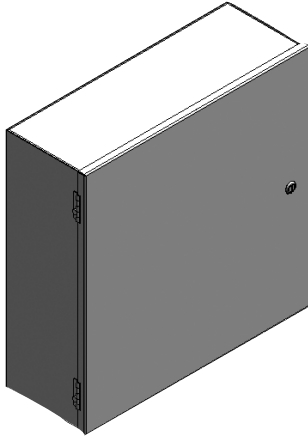


Type 1 Enclosures

Large Hinge Cover Enclosures



APPLICATIONS - Designed to house electrical and electronic controls in areas not requiring oil-tight and dust-tight specifications.

CONSTRUCTION - Fabricated from 14 gauge carbon steel. Enclosures feature:

- Collar Studs for optional 12 or 14 gauge panels.
- Slotted Quarterturn Latches. Optional 3 point latch available.
- Standard size cabinets have bolt on butt hinges in height dimension.

FINISH - Standard RAL 7035 texture polyester powder coat finish on interior and exterior of enclosures. Recoatable, smooth, white or ANSI-61 gray available at no charge. Standard RAL and custom match finishes available for an additional

charge, please contact Schaefer's Electrical Enclosures, Inc. for further assistance. All powder coat finishes applied over cleaned phosphatized surfaces. Carbon steel sub panels have a white polyester powder coat finish.

OPTIONS - Schaefer's Electrical Enclosures, Inc. can modify standard enclosures or custom design enclosures according to your specifications. Sizes and many more options are available. Quotations upon request.

INDUSTRY STANDARDS

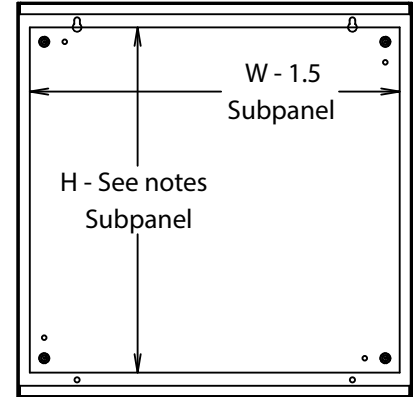
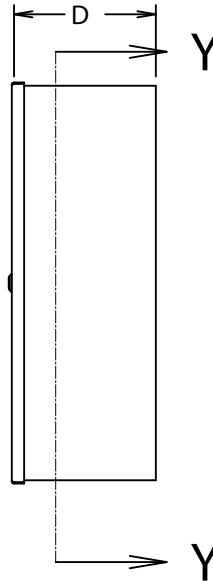
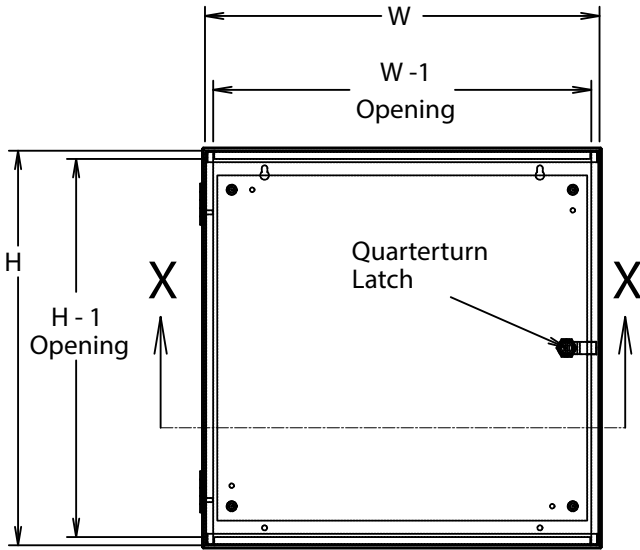
- UL 50 Listed
- Type 1

Catalog Number	Enclosure Size H x W x D (inches)	Shpg. Wt.	Sub Panel Part Number	Sub Panel Size H x W (inches)
SPLN1-16126	16 x 12 x 6.625	20	SPLN1P-1612	13 x 10.5
SPLN1-16166	16 x 16 x 6.625	26	SPLN1P-1616	13 x 14.5
SPLN1-16206	16 x 20 x 6.625	33	SPLN1P-1620	13 x 18.5
SPLN1-20166	20 x 16 x 6.625	33	SPLN1P-2016	17 x 14.5
SPLN1-20206	20 x 20 x 6.625	41	SPLN1P-2020	17 x 18.5
SPLN1-24166	24 x 16 x 6.625	39	SPLN1P-2416	21 x 14.5
SPLN1-24206	24 x 20 x 6.625	49	SPLN1P-2420	21 x 18.5
SPLN1-24246	24 x 24 x 6.625	59	SPLN1P-2424	21 x 22.5
SPLN1-30206	30 x 20 x 6.625	61	SPLN1P-3020	26 x 18.5
SPLN1-30246	30 x 24 x 6.625	74	SPLN1P-3024	26 x 22.5
SPLN1-36246	36 x 24 x 6.625	89	SPLN1P-3624	32 x 22.5
SPLN1-36306	36 x 30 x 6.625	111	SPLN1P-3630	32 x 28.5
SPLN1-16128	16 x 12 x 8.625	28	SPLN1P-1612	13 x 10.5
SPLN1-20168	20 x 16 x 8.625	28	SPLN1P-2016	17 x 14.5
SPLN1-20208	20 x 20 x 8.625	58	SPLN1P-2020	17 X 18.5
SPLN1-20248	20 x 24 x 8.625	69	SPLN1P-2024	17 x 22.5
SPLN1-24208	24 x 20 x 8.625	69	SPLN1P-2420	21 x 18.5
SPLN1-24248	24 x 24 x 8.625	83	SPLN1P-2424	21 x 22.5
SPLN1-30208	30 x 20 x 8.625	86	SPLN1P-3020	26 x 18.5
SPLN1-30308	30 x 30 x 8.625	130	SPLN1P-3030	26 x 28.5
SPLN1-30248	30 x 24 x 8.625	104	SPLN1P-3024	26 x 22.5
SPLN1-36248	36 x 24 x 8.625	125	SPLN1P-3624	32 x 22.5
SPLN1-36308	36 x 30 x 8.625	156	SPLN1P-3630	32 x 28.5
SPLN1-42248	42 x 24 x 8.625	145	SPLN1P-4224	38 x 22.5
SPLN1-242010	24 x 20 x 10.625	89	SPLN1P-2420	21 x 18.5
SPLN1-302410	30 x 24 x 10.625	134	SPLN1P-3024	26 x 22.5
SPLN1-363010	36 x 30 x 10.625	201	SPLN1P-3630	32 x 28.5
SPLN1-242412	24 x 24 x 12.625	131	SPLN1P-2424	21 x 22.5
SPLN1-363012	36 x 30 x 12.625	246	SPLN1P-3630	32 x 28.5

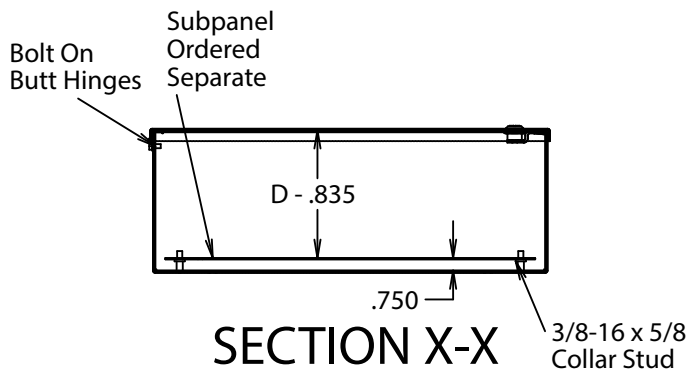
Note: Sub panels must be ordered separately. Reference page 121 for sub panel layout

SPLN1

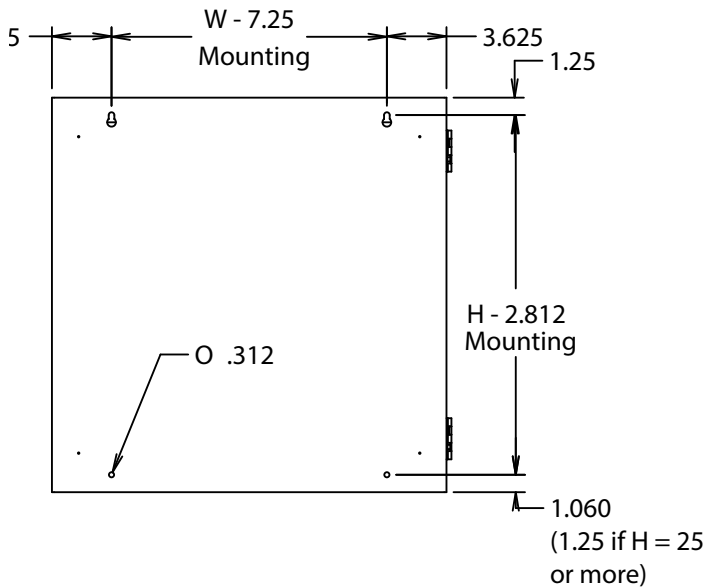
3.6



SECTION Y-Y



SECTION X-X



Note:

Enclosure Size	Sub panel Size
If H = 24 or less	W - 1.5 H - 3
If H = greater than 24	W - 1.5 H - 4