

# Type 3R Enclosures

## Rainproof Lift-off Hinge Cover Enclosure



**APPLICATIONS** - Junction boxes, pull boxes, terminal boxes, wiring boxes, etc.

**CONSTRUCTION** - Fabricated from 16 or 14 gauge galvanized steel. Mounting feet are fabricated from 12 gauge galvanized steel. Enclosures feature:

- The door is hinged on left side with lift-off hinges.

**FINISH** - Standard RAL 7035 texture polyester powder coat finish on interior and exterior of enclosures. Recoatable, smooth, white or ANSI-61 gray available at no charge. Standard RAL and custom match finishes available for an additional charge, please contact Schaefer's Electrical Enclosures, Inc. for further assistance.

All powder coat finishes applied over cleaned phosphatized surfaces. Carbon steel sub panels have a white polyester powder coat finish.

**OPTIONS** - Schaefer's Electrical Enclosures, Inc. can modify standard enclosures or custom design enclosures according to your specifications. Materials and many more options are available. Quotations upon request.

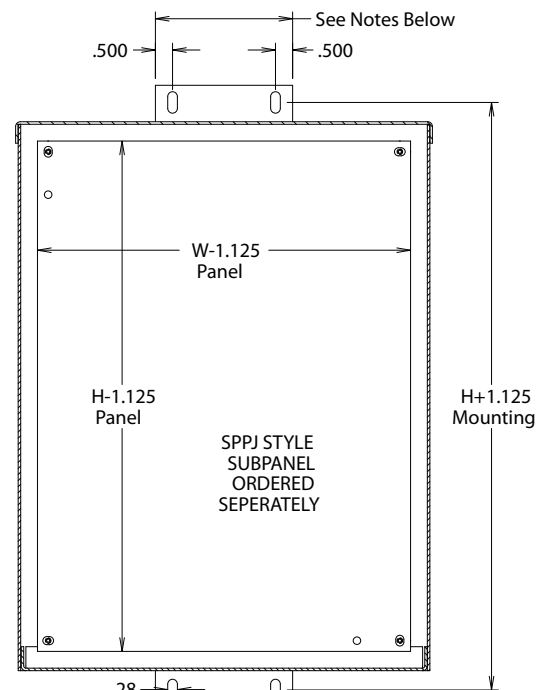
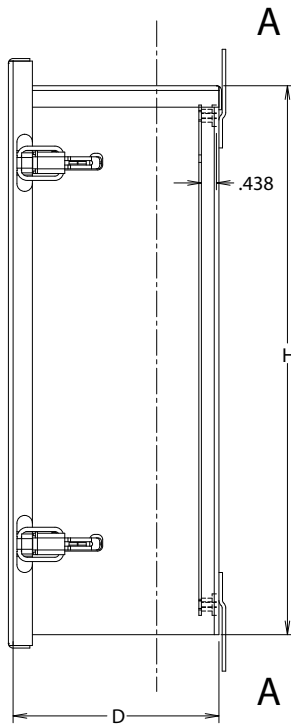
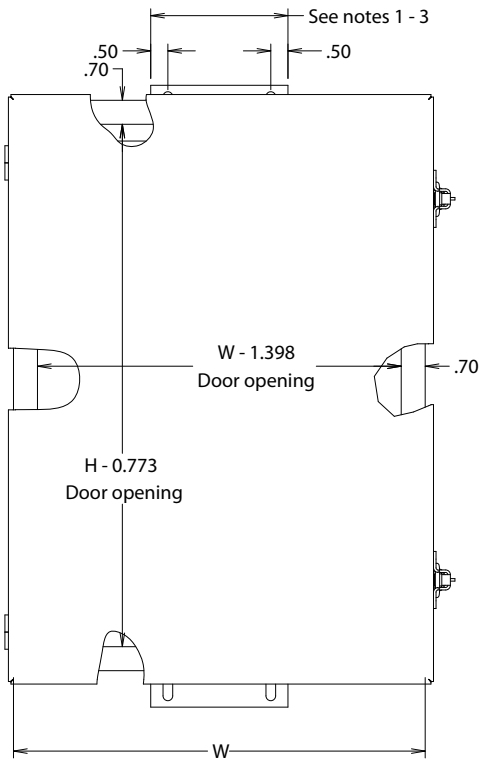
### INDUSTRY STANDARDS

- UL 50 Listed
- Type 3R

Catalog Number	Product Size H x W x D (inches)	Gauge	Shpg. Wt.	Sub Panel Part Number	Sub Panel Size H x W (inches)
SPLOH-864	8 x 6 x 4	16	6	SPPJ-66	4.88 x 4.88
SPLOH-886	8 x 8 x 6	16	7	SPPJ-68	4.88 x 6.88
SPLOH-1086	10 x 8 x 6	16	9	SPPJ-88	6.88 x 6.88
SPLOH-12106	12 x 10 x 6	16	11	SPPJ-1010	8.88 x 8.88
SPLOH-12126	12 x 12 x 6	16	13	SPPJ-1012	8.88 x 10.88
SPLOH-16126	16 x 12 x 6	14	16	SPPJ-1412	12.88 x 10.88
SPLOH-16166	16 x 16 x 6	14	25	SPP-1616	13 x 13
SPLOH-20166	20 x 16 x 6	14	29	SPP-2016	17 x 13
SPLOH-20208	20 x 20 x 8	14	38	SPP-2020	17 x 17
SPLOH-24208	24 x 20 x 8	14	45	SPP-2420	21 x 17
SPLOH-24248	24 x 24 x 8	14	49	SPP-2424	21 x 21
SPLOH-30248	30 x 24 x 8	14	60	SPP-3024	27 x 21

**Note:** Sub panels must be ordered separately. Reference page 121 & 122 for sub panel layout

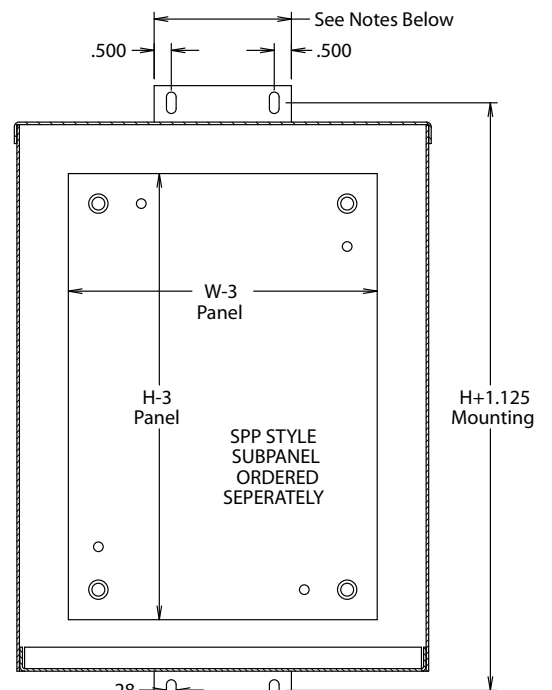
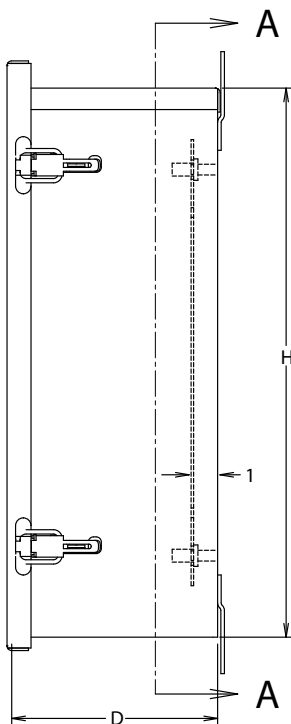
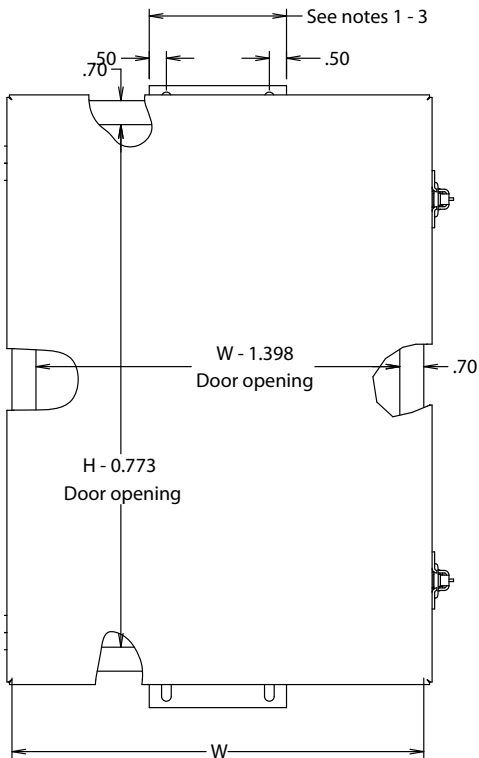
**SPLOH**



**SECTION A-A**

**NOTES:**

1. When W is equal to or less than 16" the mounting foot width will be 5".
2. When W is 16" to 29" the mounting foot width will be 14".
3. When W is equal to or greater than 30" the mounting foot width will be 28".
4. Enclosures will receive 3 latches when H is equal to or greater than 20".



**SECTION A-A**