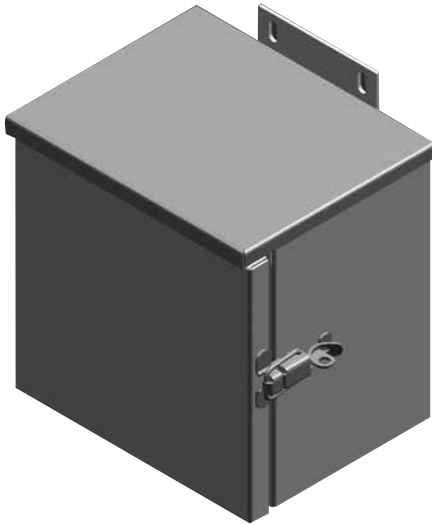


# Type 3R Enclosures

## Rainproof Small Single Door Hinge Cover



**APPLICATIONS** - Designed for both indoor and outdoor use to protect against rain, sleet, snow and dripping water.

**CONSTRUCTION** - Fabricated from 16 gauge carbon steel, 14 gauge type 304 or type 316 stainless steel. Enclosure features:

- Drip shield lid and seam-free sides, front and back
- Door secured with heavy-duty continuous hinge with removable hinge pin and padlockable draw latch
- Knockouts provided on bottom of enclosure except for stainless steel
- External mounting plates on top and bottom of enclosure for wall or machinery mounting
- Weld Nuts are provided for optional sub panel mounting

**FINISH** - Standard RAL 7035 texture polyester powder coat finish on interior and exterior of enclosures. Recoatable, smooth, white or ANSI-61 gray available at no charge. Standard RAL and custom match finishes available for an additional charge, please contact Schaefer's Electrical Enclosures, Inc. for further assistance. All powder coat finishes applied over cleaned phosphatized surfaces. Carbon steel sub-panels have a white polyester powder coat finish. Stainless Steel enclosures have a polished #4 finish.

**OPTIONS** - Schaefer's Electrical Enclosures, Inc. can custom design enclosures according to your specifications. Holes, cutouts, louvers, sizes, materials, and many more options are available. Quotations upon request.

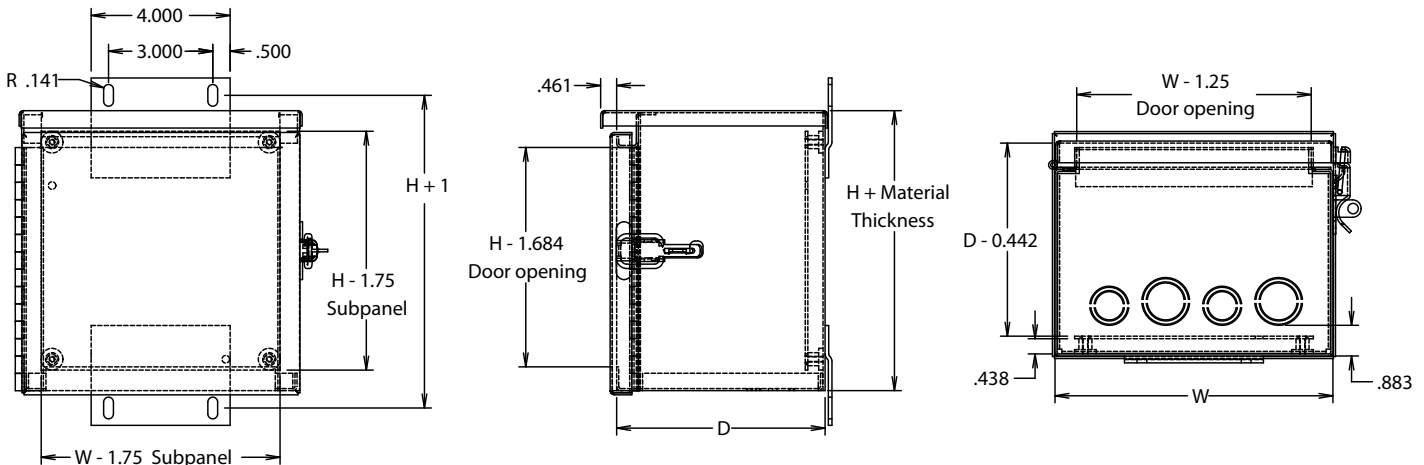
### INDUSTRY STANDARDS

- UL 50 Listed
- Type 3R

Carbon Steel #	Catalog Number 304 Stainless Steel #	316 Stainless Steel #	Enclosure Size H x W x D (inches)	Shpg. Wt.	Knockout Pattern	Sub Panel Part Number	Sub Panel Size (inches)
SPRHC-664	SPRHCSS-664N	SPRHCSS6-664N	6 x 6 x 4	5	B-C-D	SPN1P-66	4.25 x 4.25
SPRHC-864	SPRHCSS-864N	SPRHCSS6-864N	8 x 6 x 4	6	B-C-D	SPN1P-86	6.25 x 4.25
SPRHC-884	SPRHCSS-884N	SPRHCSS6-884N	8 x 8 x 4	7	F-G-H-I	SPN1P-88	6.25 x 6.25
SPRHC-886	SPRHCSS-886N	SPRHCSS6-886N	8 x 8 x 6	8	F-G-H-I	SPN1P-88	6.25 x 6.25
SPRHC-1086	SPRHCSS-1086N	SPRHCSS6-1086N	10 x 8 x 6	9	F-G-H-I	SPN1P-108	8.25 x 6.25
SPRHC-12106	SPRHCSS-12106N	SPRHCSS6-12106N	12 x 10 x 6	12	C-D-E-F-G	SPN1P-1210	10.25 x 8.25
SPRHC-12126	SPRHCSS-12126N	SPRHCSS6-12126N	12 x 12 x 6	13	C-D-E-F-G	SPN1P-1212	10.25 x 10.25

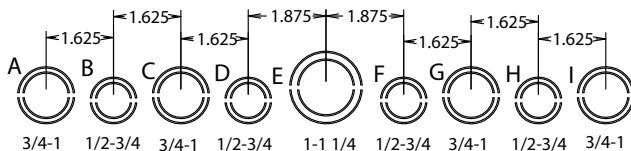
**Note:** Sub panels must be ordered separately. Reference page 121 for sub panel layout  
Knockouts are not available on stainless steel.

### SPRHC • SPRHCSS • SPRHCSS6



### NOTES:

1. SPRHC's will receive an additional latch at 6" or more.
2. Schaefer's Electrical Enclosures, Inc. standardly provides concentric knockouts.



Knockout Pattern (from out side of box)