

APPLICATIONS - Type 4 JIC enclosures are designed for use in areas which may be regularly hosed down or otherwise very wet.

CONSTRUCTION - Fabricated from 16 or 14 gauge carbon steel, 14 gauge

type 304 or type 316 stainless steel with continuously welded seams. Enclosure features:

- Door secured with zinc clamps on three sides.
- Stainless steel doors are secured with type 316 stainless steel clamps.
- Oil resistant gasket applied to the doors.
- External mounting feet for wall or machinery mounting.
- Weld nuts for mounting optional sub panel.

FINISH - Standard RAL 7035 texture polyester powder coat finish on interior and exterior of enclosures. Recoatable, smooth, white or ANSI-61 gray available at no charge. Standard RAL and custom

match finishes available for an additional charge, please contact Schaefer's Electrical Enclosures, Inc. for further assistance. All powder coat finishes applied over cleaned phosphatized surfaces. Carbon steel sub panels have a white polyester powder coat finish. Stainless Steel enclosures have a polished #4 finish.

OPTIONS - Schaefer's Electrical Enclosures, Inc. can modify standard enclosures or custom design enclosures according to your specifications. Sizes and many more options are available. Quotations upon request.

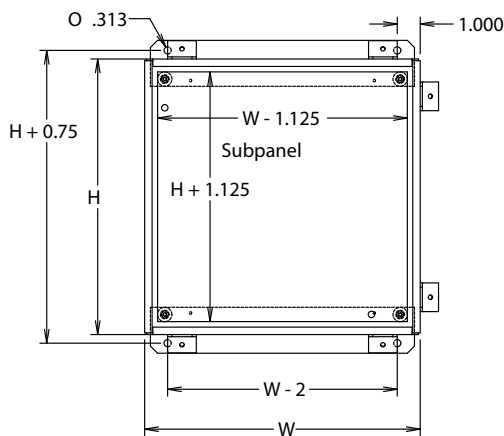
INDUSTRY STANDARDS

- UL 50 Listed
- CUL 50 Listed
- Type 4

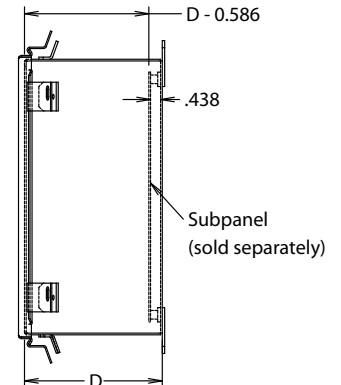
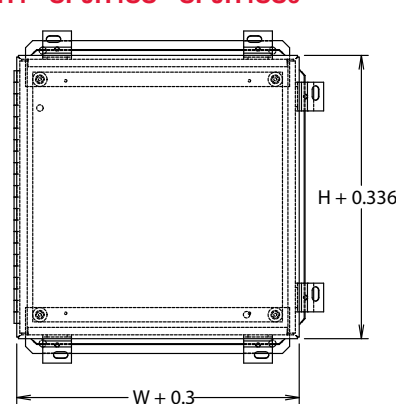
Carbon Steel #	Catalog Number 304 Stainless Steel #	316 Stainless Steel #	Product Size H x W x D (inches)	Shpg. Wt.	Sub Panel Part #	Sub Panel Size H x W (inches)
SPJH4-443	SPJH4SS-443	SPJH4SS6-443	4 x 4 x 3	2	-	-
SPJH4-643	SPJH4SS-643	SPJH4SS6-643	6 x 4 x 3	3	SPPJ-64	4.88 x 2.88
SPJH4-863	SPJH4SS-863	SPJH4SS6-863	8 x 6 x 3	5	SPPJ-86	6.88 x 4.88
SPJH4-444	SPJH4SS-444	SPJH4SS6-444	4 x 4 x 4	2	-	-
SPJH4-644	SPJH4SS-644	SPJH4SS6-644	6 x 4 x 4	3	SPPJ-64	4.88 x 2.88
SPJH4-664	SPJH4SS-664	SPJH4SS6-664	6 x 6 x 4	4	SPPJ-66	4.88 x 4.88
SPJH4-884	SPJH4SS-884	SPJH4SS6-884	8 x 8 x 4	6	SPPJ-88	6.88 x 6.88
SPJH4-1084	SPJH4SS-1084	SPJH4SS6-1084	10 x 8 x 4	8	SPPJ-108	8.88 x 6.88
SPJH4-1264	SPJH4SS-1264	SPJH4SS6-1264	12 x 6 x 4	7	SPPJ-126	10.88 x 4.88
SPJH4-12105	SPJH4SS-12105	SPJH4SS6-12105	12 x 10 x 5	12	SPPJ-1210	10.88 x 8.88
SPJH4-666	SPJH4SS-666	SPJH4SS6-666	6 x 6 x 6	5	SPPJ-66	4.88 x 4.88
SPJH4-866	SPJH4SS-866	SPJH4SS6-866	8 x 6 x 6	7	SPPJ-86	6.88 x 4.88
SPJH4-1086	SPJH4SS-1086	SPJH4SS6-1086	10 x 8 x 6	9	SPPJ-108	8.88 x 6.88
SPJH4-10106	SPJH4SS-10106	SPJH4SS6-10106	10 x 10 x 6	11	SPPJ-1010	8.88 x 8.88
SPJH4-12126	SPJH4SS-12126	SPJH4SS6-12126	12 x 12 x 6	14	SPPJ-1212	10.88 x 10.88
SPJH4-1486	SPJH4SS-1486	SPJH4SS6-1486	14 x 8 x 6	12	SPPJ-148	12.88 x 6.88
SPJH4-14126	SPJH4SS-14126	SPJH4SS6-14126	14 x 12 x 6	16	SPPJ-1412	12.88 x 10.88
SPJH4-16146	SPJH4SS-16146	SPJH4SS6-16146	16 x 14 x 6	20	SPPJ-1614	14.88 x 12.88
SPJH4-16106	SPJH4SS-16106	SPJH4SS6-16106	16 x 10 x 6	16	SPPJ-1610	14.88 x 8.88
SPJH4-12108	SPJH4SS-12108	SPJH4SS6-12108	12 x 10 x 8	15	SPPJ-1210	10.88 x 8.88
SPJH4-14128	SPJH4SS-14128	SPJH4SS6-14128	14 x 12 x 8	19	SPPJ-1412	12.88 x 10.88
SPJH4-16148	SPJH4SS-16148	SPJH4SS6-16148	16 x 14 x 8	23	SPPJ-1614	14.88 x 12.88

NOTE: Sub panels must be ordered separately. Reference page 121 for sub panel layout

SPJH4 • SPJH4SS • SPJH4SS6



Lid Removed



NOTES:

1. When Height or Width is equal to or less than 8" there will be one set of clamps on that side.