



APPLICATIONS - Designed to provide protection for electrical controls, instruments, and terminals from oil, dirt, dust and water entry.

CONSTRUCTION - Fabricated from 16 or 14 gauge carbon steel, 14 gauge type 304

or type 316 stainless steel with continuously welded seams. Enclosure features:

- Door secured with zinc coated clamps
- Stainless Steel doors are secured with type 316 stainless steel clamps.
- Oil resistant gasket applied to the doors
- External mounting feet for wall or machinery mounting
- Weld nuts for mounting optional sub-panel

FINISH - Standard RAL 7035 texture polyester powder coat finish on interior and exterior of enclosures. Recoatable, smooth, white or ANSI-61 gray available at no charge. Standard RAL and custom match finishes available for an additional charge, please contact Schaefer's Electrical Enclosures, Inc. for further assistance. All

powder coat finishes applied over cleaned phosphatized surfaces. Carbon steel sub panels have a white polyester powder coat finish. Stainless Steel enclosures have a polished #4 finish.

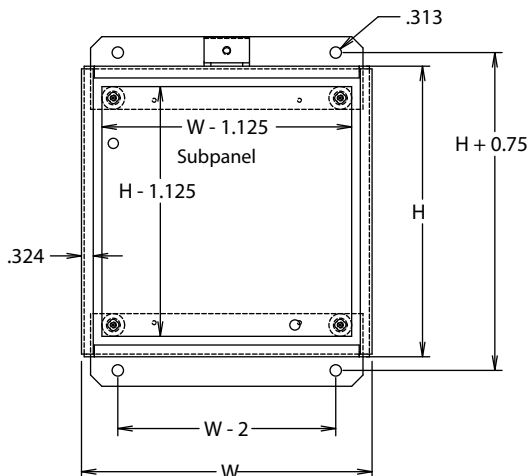
OPTIONS - Schaefer's Electrical Enclosures, Inc. can modify standard enclosures or custom design enclosures according to your specifications. Holes, cutouts, sizes, materials, and many more options are available. Quotations upon request.

INDUSTRY STANDARDS

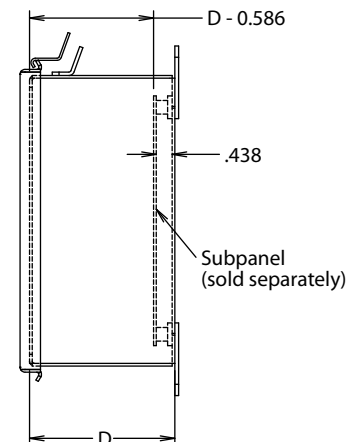
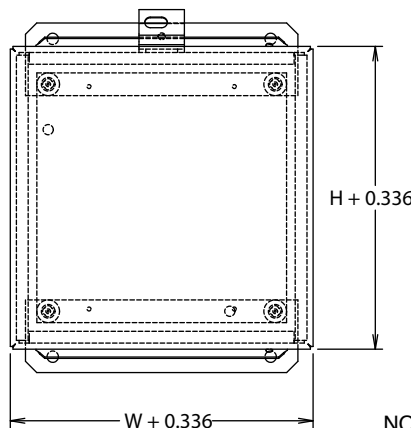
- UL 50 Listed
- CUL 50 Listed
- Type 4, 4X, 12

Carbon Steel #	Catalog Number		316 Stainless Steel #	Enclosure Size H x W x D	Shpg. Wt.	Sub Panel Part #	Sub Panel Size H x W (inches)
	304	Stainless Steel #					
SPJ-443	SPJSS-443	SPJSS6-443		4 x 4 x 3	2	-	-
SPJ-643	SPJSS-643	SPJSS6-643		6 x 4 x 3	3	SPPJ-64	4.88 x 2.88
SPJ-863	SPJSS-863	SPJSS6-863		8 x 6 x 3.5	5	SPPJ-86	6.88 x 4.88
SPJ-444	SPJSS-444	SPJSS6-444		4 x 4 x 4	3	-	-
SPJ-644	SPJSS-644	SPJSS6-644		6 x 4 x 4	4	SPPJ-64	4.88 x 2.88
SPJ-664	SPJSS-664	SPJSS6-664		6 x 6 x 4	5	SPPJ-66	4.88 x 4.88
SPJ-884	SPJSS-884	SPJSS6-884		8 x 8 x 4	8	SPPJ-88	6.88 x 6.88
SPJ-1084	SPJSS-1084	SPJSS6-1084		10 x 8 x 4	9	SPPJ-108	8.88 x 6.88
SPJ-1264	SPJSS-1264	SPJSS6-1264		12 x 6 x 4	9	SPPJ-126	10.88 x 4.88
SPJ-12105	SPJSS-12105	SPJSS6-12105		12 x 10 x 5	14	SPPJ-1210	10.88 x 8.88
SPJ-666	SPJSS-666	SPJSS6-666		6 x 6 x 6	6	SPPJ-66	4.88 x 4.88
SPJ-866	SPJSS-866	SPJSS6-866		8 x 6 x 6	8	SPPJ-86	6.88 x 4.88
SPJ-1086	SPJSS-1086	SPJSS6-1086		10 x 8 x 6	11	SPPJ-108	8.88 x 6.88
SPJ-10106	SPJSS-10106	SPJSS6-10106		10 x 10 x 6	13	SPPJ-1010	8.88 x 8.88
SPJ-12126	SPJSS-12126	SPJSS6-12126		12 x 12 x 6	17	SPPJ-1212	10.88 x 10.88
SPJ-1486	SPJSS-1486	SPJSS6-1486		14 x 8 x 6	15	SPPJ-148	12.88 x 6.88
SPJ-14126	SPJSS-14126	SPJSS6-14126		14 x 12 x 6	19	SPPJ-1412	12.88 x 10.88
SPJ-16106	SPJSS-16106	SPJSS6-16106		16 x 10 x 6	19	SPPJ-1610	14.88 x 8.88
SPJ-12108	SPJSS-12108	SPJSS6-12108		12 x 10 x 8	18	SPPJ-1210	10.88 x 8.88
SPJ-14128	SPJSS-14128	SPJSS6-14128		14 x 12 x 8	22	SPPJ-1412	12.88 x 10.88
SPJ-16146	SPJSS-16146	SPJSS6-16146		16 x 14 x 6	24	SPPJ-1614	14.88 x 12.88
SPJ-16148	SPJSS-16148	SPJSS6-16148		16 x 14 x 8	28	SPPJ-1614	14.88 x 12.88
SPJ-161410	SPJSS-161410	SPJSS6-161410		16 x 14 x 10	31	SPPJ-1614	14.88 x 12.88

Note: Sub panels must be ordered separately. Reference page 121 for sub panel layout



SPJ4 • SPJ4SS • SPJ4SS6



NOTES:

1. When Width is equal to or less than 8" there will be one set of clamps on that side.