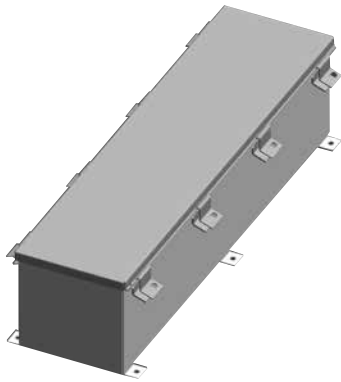


Junction Enclosures

Type 12 JIC Wiring Troughs with Lift-off Covers



APPLICATIONS - To house electrical wiring where dust, dirt, oil and water are not serious problems.

CONSTRUCTION - Fabricated from 16 or 14 gauge carbon steel, 14 gauge type 304 or type 316 stainless steel with continuously welded seams. Enclosures feature:

- There are no holes or knockouts.
- The troughs have lift-off lids and external screw clamps to ensure a complete seal between cover and body.
- Mounting feet are provided.

FINISH - Standard RAL 7035 texture polyester powder coat finish on interior and exterior of enclosures. Recoatable, smooth, white or ANSI-61 gray available at no charge. Standard RAL and custom match finishes available for an additional

charge, please contact Schaefer's Electrical Enclosures, Inc. for further assistance. All powder coat finishes applied over cleaned phosphatized surfaces. Stainless Steel enclosures have a polished #4 finish.

OPTIONS - Schaefer's Electrical Enclosures, Inc. can modify standard Flangeless Lay-in Wireways according to your specifications. Sizes and many more options are available. Quotations upon request.

INDUSTRY STANDARDS

- UL 50 Listed
- CUL 50 Listed
- Type 4, 4X, 12

Carbon Steel #	Catalog Number 304 Stainless Steel #	316 Stainless Steel #	Product Size H x W x D (inches)	Shpg. Wt.	Gauge	# of Mounting Feet	Qty. Clamps & Screws
SPJT-2212	SPJTSS-2212	SPJTSS6-2212	2.5 x 2.5 x 12	5	16	2	2
SPJT-2218	SPJTSS-2218	SPJTSS6-2218	2.5 x 2.5 x 18	7	16	2	3
SPJT-2224	SPJTSS-2224	SPJTSS6-2224	2.5 x 2.5 x 24	8	16	2	3
SPJT-4412	SPJTSS-4412	SPJTSS6-4412	4 x 4 x 12	7	16	2	2
SPJT-4418	SPJTSS-4418	SPJTSS6-4418	4 x 4 x 18	9	16	2	3
SPJT-4424	SPJTSS-4424	SPJTSS6-4424	4 x 4 x 24	11	14	2	3
SPJT-4436	SPJTSS-4436	SPJTSS6-4436	4 x 4 x 36	17	14	2	4
SPJT-4448	SPJTSS-4448	SPJTSS6-4448	4 x 4 x 48	22	14	2	5
SPJT-6612	SPJTSS-6612	SPJTSS6-6612	6 x 6 x 12	10	14	2	2
SPJT-6618	SPJTSS-6618	SPJTSS6-6618	6 x 6 x 18	13	14	2	3
SPJT-6624	SPJTSS-6624	SPJTSS6-6624	6 x 6 x 24	17	14	2	3
SPJT-6636	SPJTSS-6636	SPJTSS6-6636	6 x 6 x 36	26	14	2	4
SPJT-6648	SPJTSS-6648	SPJTSS6-6648	6 x 6 x 48	31	14	2	5

SPJT • SPJTSS • SPJTSS6

