

APPLICATIONS - For housing electrical controls, terminals, and instruments and to provide protection from dust, dirt, oil and water.

CONSTRUCTION - Fabricated from 14 gauge carbon steel. Enclosure features:

- Door secured with a continuous hinge and clamps.
- Oil resistant gasket applied to doors.
- External mounting feet for wall or machinery mounting.
- Collar studs for mounting optional sub panel.

FINISH - Standard RAL 7035 texture polyester powder coat finish on interior and exterior of enclosures. Recoatable, smooth, white or ANSI-61 gray available at no charge. Standard RAL and custom match finishes available for an additional charge, please contact Schaefer's Electri-

cal Enclosures, Inc. for further assistance. All powder coat finishes applied over cleaned phosphatized surfaces. Carbon steel sub panels have a white polyester powder coat finish.

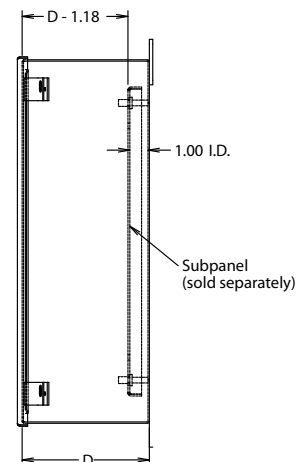
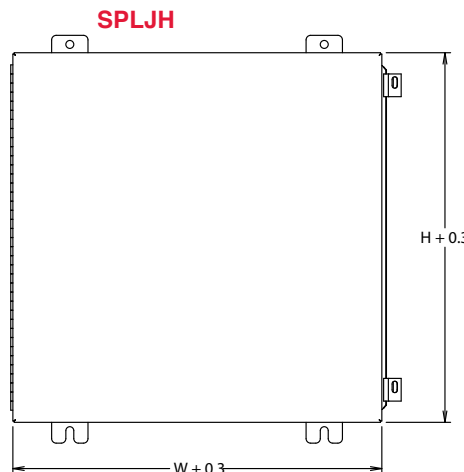
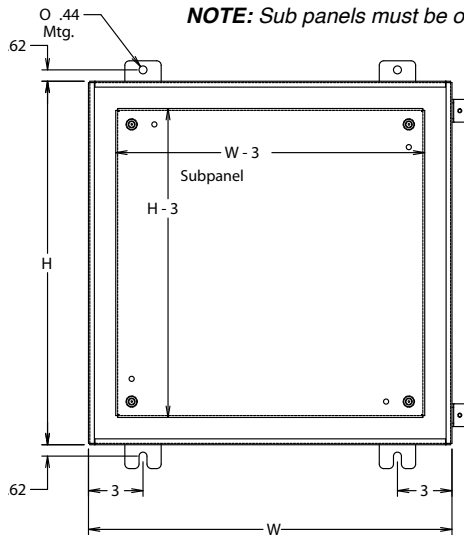
OPTIONS - Schaefer's Electrical Enclosures, Inc. can modify standard Enclosures or custom design enclosures according to your specifications. Holes, cutouts, sizes, materials, and many more options are available. Quotations upon request.

INDUSTRY STANDARDS

- UL 50 Listed
- CUL 50 Listed
- Type 12

Catalog Number	Enclosure Size H x W x D (inches)	Shpg. Wt.	Sub Panel Part #	Sub Panel Size H x W (inches)
SPLJH-20167	20 x 16 x 7	31	SPP-2016	17 x 13
SPLJH-20207	20 x 20 x 7	37	SPP-2020	17 x 17
SPLJH-24207	24 x 20 x 7	43	SPP-2420	21 x 17
SPLJH-24247	24 x 24 x 7	48	SPP-2424	21 x 21
SPLJH-30207	30 x 20 x 7	50	SPP-3020	27 x 17
SPLJH-30247	30 x 24 x 7	58	SPP-3024	27 x 21
SPLJH-36247	36 x 24 x 7	69	SPP-3624	33 x 21
SPLJH-20169	20 x 16 x 9	36	SPP-2016	17 x 13
SPLJH-20209	20 x 20 x 9	41	SPP-2020	17 x 17
SPLJH-24209	24 x 20 x 9	47	SPP-2420	21 x 17
SPLJH-24249	24 x 24 x 9	54	SPP-2424	21 x 21
SPLJH-30209	30 x 20 x 9	55	SPP-3020	27 x 17
SPLJH-30249	30 x 24 x 9	62	SPP-3024	27 x 21
SPLJH-36249	36 x 24 x 9	76	SPP-3624	33 x 21
SPLJH-36309	36 x 30 x 9	90	SPP-3630	33 x 27
SPLJH-42309	42 x 30 x 9	103	SPP-4230	39 x 27
SPLJH-42369	42 x 36 x 9	115	SPP-4236	39 x 33
SPLJH-242411	24 x 24 x 11	58	SPP-2424	21 x 21
SPLJH-362411	36 x 24 x 11	77	SPP-3624	33 x 21
SPLJH-483611	48 x 36 x 11	139	SPP-4836	45 x 33
SPLJH-302413	30 x 24 x 13	70	SPP-3024	27 x 21
SPLJH-363013	36 x 30 x 13	100	SPP-3630	33 x 27

NOTE: Sub panels must be ordered separately. Reference page 122 for sub panel layout



NOTES:

1. Print pocket = 6" x 6" when H and W are 24" or less.
Print pocket = 9" x 9" when H and W are greater than 24".
2. Panels will have formed flanges when either Height or Width is greater than or equal to 18".