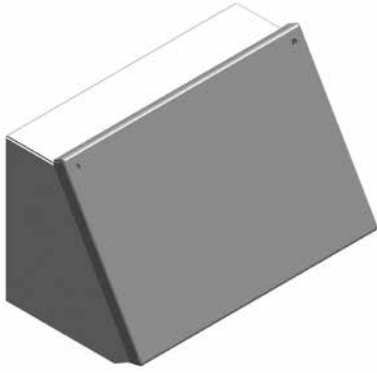


Pushbutton Enclosures

Type 12 Oil-tight Consolets



APPLICATIONS - Consolets provide protection from oil, dirt, and dust. They can be mounted on either of two sides, providing a 30 degree or 60 degree inclined control surface. These enclosures can be mounted on machines, pedestals, or desk tops, etc.

CONSTRUCTION - Fabricated from 14 gauge carbon steel or type 304 stainless steel with continuously welded seams. Enclosures feature:

- Oil resistant adhesive gasket applied to the cover secured by captivated screws
- A continuous hinge with a removable hinge pin on the long side

FINISH - Standard RAL 7035 texture polyester powder coat finish on interior and exterior of enclosures. Recoatable, smooth, white or ANSI-61 gray available at no charge. Standard RAL and custom

match finishes available for an additional charge, please contact Schaefer's Electrical Enclosures, Inc. for further assistance. All powder coat finishes applied over cleaned phosphatized surfaces. Stainless steel consolets are polished with a #4 finish on six sides.

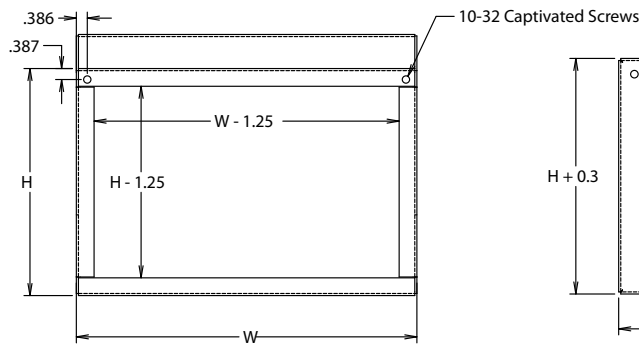
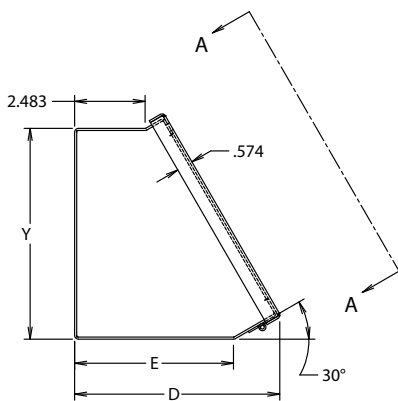
OPTIONS - Schaefer's Electrical Enclosures, Inc. can modify standard Flangeless Lay-In Wireways according to your specifications. Holes, hubs, cutouts, sizes, materials, and many more options are available. Quotations upon request.

INDUSTRY STANDARDS

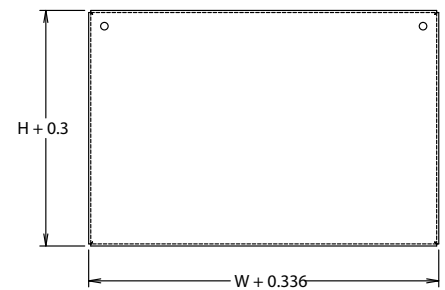
- UL 50 Listed
- CUL 50 Listed
- Type 12

Catalog Number		Surface Size	Shpg. Wt.	E (inches)	Y (inches)	# of Screws
Carbon Steel #	304 Stainless Steel #	H x W x D (inches)				
SPCL-8C8	SPCLSS-8C8	8 x 8 x 7.09	9	5.59	7.44	2
SPCL-8C12	SPCLSS-8C12	8 x 12 x 7.09	11	5.59	7.44	2
SPCL-8C16	SPCLSS-8C16	8 x 16 x 7.09	14	5.59	7.44	2
SPCL-8C20	SPCLSS-8C20	8 x 20 x 7.09	17	5.59	7.44	3
SPCL-12C12	SPCLSS-12C12	12 x 12 x 9.09	15	7.59	10.91	2
SPCL-12C16	SPCLSS-12C16	12 x 16 x 9.09	20	7.59	10.91	2
SPCL-12C20	SPCLSS-12C20	12 x 20 x 9.09	24	7.59	10.91	3
SPCL-12C24	SPCLSS-12C24	12 x 24 x 9.09	28	7.59	10.91	3
SPCL-16C16	SPCLSS-16C16	16 x 16 x 11.09	25	9.59	14.38	2
SPCL-16C20	SPCLSS-16C20	16 x 20 x 11.09	29	9.59	14.38	3
SPCL-16C24	SPCLSS-16C24	16 x 24 x 11.09	35	9.59	14.38	3
SPCL-16C30	SPCLSS-16C30	16 x 30 x 11.09	42	9.59	14.38	3
SPCL-16C36	SPCLSS-16C36	16 x 36 x 11.09	47	9.59	14.38	4
SPCL-20C20	SPCLSS-20C20	20 x 20 x 13.09	36	11.59	17.84	5
SPCL-20C24	SPCLSS-20C24	20 x 24 x 13.09	42	11.59	17.84	5
SPCL-20C30	SPCLSS-20C30	20 x 30 x 13.09	50	11.59	17.84	5

SPCL • SPCLSS



VIEW A-A
Lid Removed



Lid