

Type 12 Slimline Oil-Tight Pushbutton Enclosures



APPLICATIONS - Designed to provide protection from oil, dirt, and dust. Universal holes accommodate many types of pilot lights, switches and pushbuttons.

CONSTRUCTION - Fabricated from 14 gauge carbon steel or type 304 stainless steel with continuously welded seams. Enclosures feature:

- Cover secured with captivated screws
- Oil resistant gasket applied to the cover
- External mounting feet for wall or machinery mounting
- Universal pushbutton holes (30mm)
- 22mm available with -m addition to part number

FINISH - Standard RAL 7035 texture polyester powder coat finish on interior and exterior of enclosures. Recoatable, smooth, white or ANSI-61 gray available at no charge. Standard RAL and custom match finishes available for an additional

charge, please contact Schaefer's Electrical Enclosures, Inc. for further assistance. All powder coat finishes applied over cleaned phosphatized surfaces. Stainless steel enclosures have a polished #4 finish.

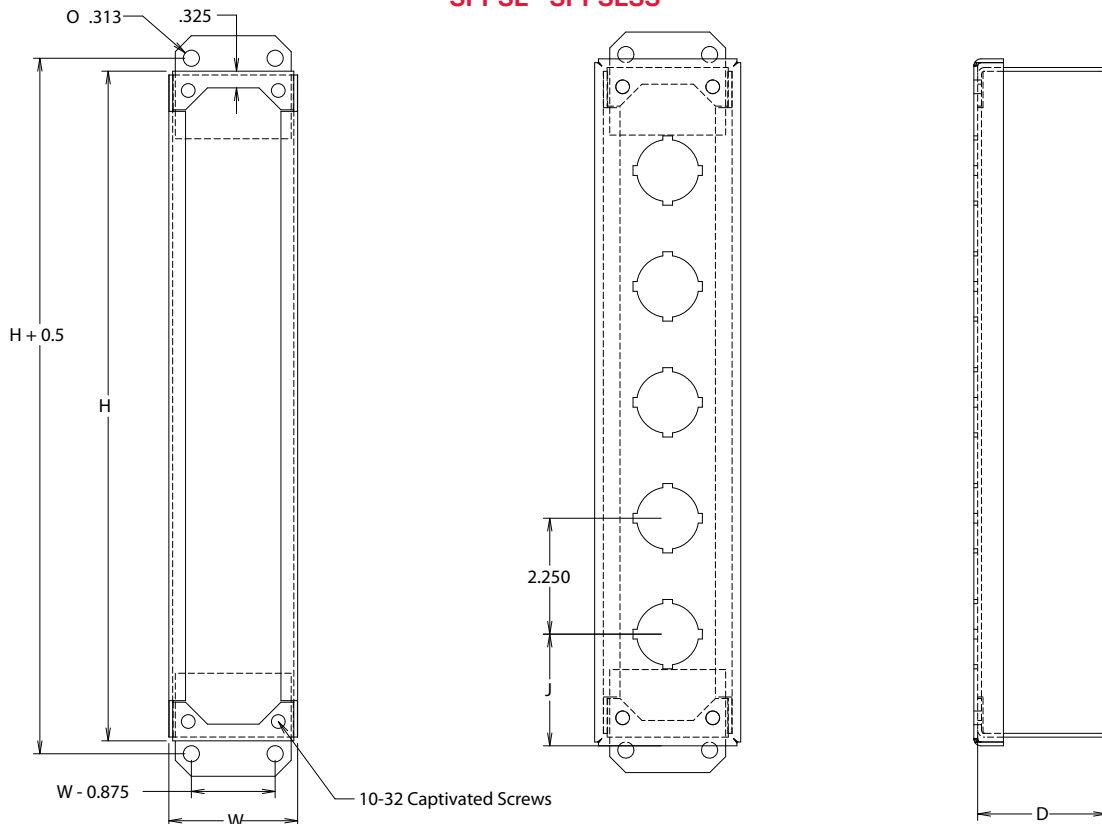
OPTIONS - Schaefer's Electrical Enclosures, Inc. can modify standard enclosures or custom design enclosures according to your specifications. Custom sizes, materials, and many more options are available. Quotations upon request.

INDUSTRY STANDARDS

- UL 50 Listed
- CUL 50 Listed
- Type 4, 4X, 12

Catalog Number							
Carbon Steel 30mm hole	304 Stainless Steel 30mm hole	Carbon Steel 22.5mm hole	304 Stainless Steel 22.5mm hole	Holes	Enclosure Size H x W x D	Shpg. Wt.	J
SPPSL-1	SPPSLSS-1	SPPSL-1-M	SPPSLSS-1-M	1	4 x 2.5 x 2.5	2	2.168
SPPSL-2	SPPSLSS-2	SPPSL-2-M	SPPSLSS-2-M	2	6.25 x 2.5 x 2.5	3	2.168
SPPSL-3	SPPSLSS-3	SPPSL-3-M	SPPSLSS-3-M	3	8.5 x 2.5 x 2.5	3	2.168
SPPSL-4	SPPSLSS-4	SPPSL-4-M	SPPSLSS-4-M	4	10.75 x 2.5 x 2.5	4	2.168
SPPSL-5	SPPSLSS-5	SPPSL-5-M	SPPSLSS-5-M	5	13 x 2.5 x 2.5	4	2.168
SPPSL-6	SPPSLSS-6	SPPSL-6-M	SPPSLSS-6-M	6	16.25 x 2.5 x 2.5	6	2.668
SPPSL-7	SPPSLSS-7	SPPSL-7-M	SPPSLSS-7-M	7	18.5 x 2.5 x 2.5	7	2.668
SPPSL-8	SPPSLSS-8	SPPSL-8-M	SPPSLSS-8-M	8	20.75 x 2.5 x 2.5	8	2.668
SPPSL-9	SPPSLSS-9	SPPSL-9-M	SPPSLSS-9-M	9	23 x 2.5 x 2.5	8	2.668
SPPSL-10	SPPSLSS-10	SPPSL-10-M	SPPSLSS-10-M	10	25.25 x 2.5 x 2.5	8	2.668

SPPSL • SPPSLSS



No Lid