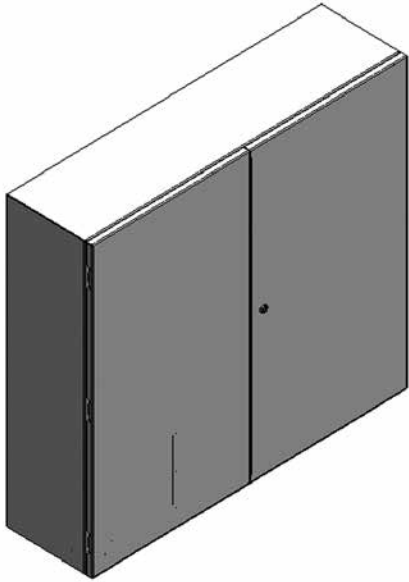


Elite Series Enclosures

Type 12 & 13 Double Door



APPLICATION - Designed to house electrical controls, instruments, and terminals in a variety of environments, including wet environments.

CONSTRUCTION - Fabricated from 14 gauge carbon steel, type 304 or type 316 stainless steel with continuously welded seams. Enclosure features:

- Minimum width trough shaped body flange and hidden hinge design providing full 180 degree door opening while excluding liquids and contaminants
- Door is secured with concealed lift-off hinges and 3 point slotted quarter turn latch.
- Adhesive backed, oil resistant gasket applied to the doors
- Print pocket
- Holes are provided for optional wall or machinery mounting
- Ground studs installed inside cabinet and door
- Collar studs provided for mounting optional sub panels

FINISH - Standard RAL 7035 texture polyester powder coat finish on interior and exterior of enclosures. Recoatable, smooth, white or ANSI-61 gray available at no charge. Standard RAL and custom match finishes available for an additional charge, please contact Schaefer's Electrical Enclosures, Inc. for further assistance. All powder coat finishes applied over cleaned phosphatized surfaces. Carbon steel sub panels have a white polyester powder coat finish. Stainless Steel enclosures have a polished #4 finish.

OPTIONS - Schaefer's Electrical Enclosures, Inc. can modify standard enclosures or custom design enclosures according to your specifications. Holes, cutouts, sizes, materials, and many more options are available. Quotations upon request.

INDUSTRY STANDARDS

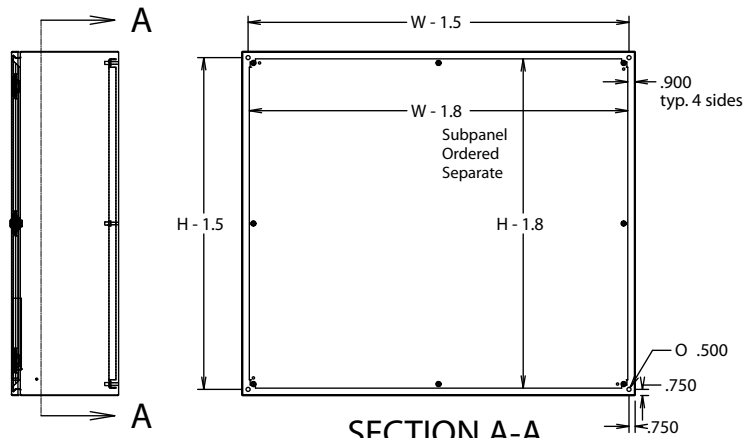
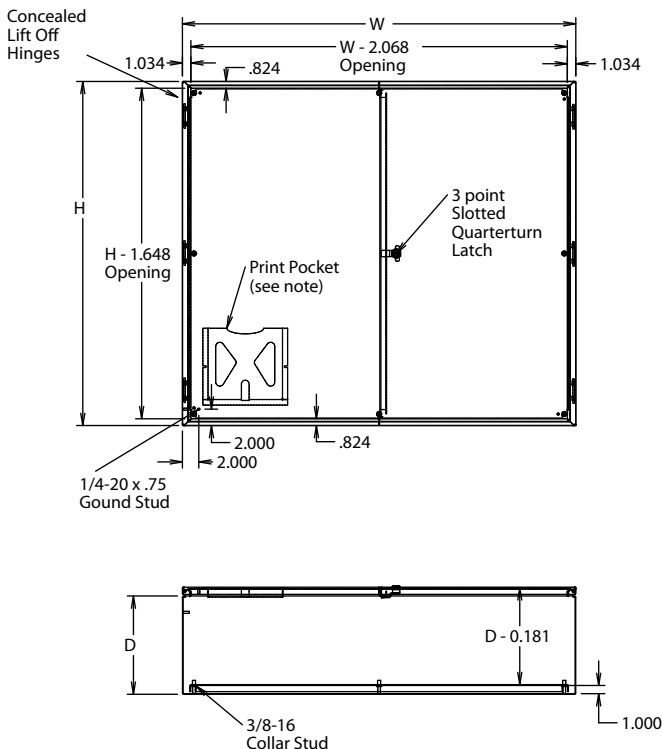
- UL 50 Listed
- CUL 50 Listed

For Optional Mounting Feet Order Part Number EH-40320 (Set of four)

Carbon Steel #	Catalog Number		Enclosure Size H x W x D (inches)	Shpg. Wt.	Sub Panel Part Number	Sub Panel Size
	304 Stainless Steel #	316 Stainless Steel #				
ESDD-24428	ESDDSS-24428	ESDDSS6-24428	24 x 42 x 8	80	ES-P2442	22.2 x 40.2
ESDD-30488	ESDDSS-30488	ESDDSS6-30488	30 x 48 x 8	96	ES-P3048	28.2 x 46.2
ESDD-306012	ESDDSS-306012	ESDDSS6-306012	30 x 60 x 12	133	ES-P3060	28.2 x 58.2
ESDD-364812	ESDDSS-364812	ESDDSS6-364812	36 x 48 x 12	126	ES-P3648	34.2 x 46.2
ESDD-366012	ESDDSS-366012	ESDDSS6-366012	36 x 60 x 12	153	ES-P3660	34.2 x 58.2

NOTE: Sub panels must be ordered separately. Reference page 123 for sub panel layout.

ESDD



NOTES:

1. Print pocket = 6" x 6" when H and W are 24" or less.
Print pocket = 9" x 9" when H and W are greater than 24".