

APPLICATION - Designed to protect electrical controls, instruments, and/or terminals in certain outdoor applications or wet areas, where regular hosing down with water is standard procedure.

CONSTRUCTION - Fabricated from 14 gauge carbon steel, 14 gauge type 304,

type 316 stainless steel or .125" 5052 H32 aluminum with continuously welded seams. Enclosure features:

- Door is secured with heavy-duty continuous hinge with removable hinge pin and stainless steel clamps
- Padlocking hasp and staple
- Adhesive backed, oil resistant gasket applied to the doors
- Print pocket
- External mounting feet for wall or machinery mounting
- Ground studs installed inside cabinet and door
- Collar studs provided for mounting optional sub panels.

FINISH - Standard RAL 7035 texture polyester powder coat finish on interior and exterior of enclosures. Recoatable, smooth, white or ANSI-61 gray available at no charge. Standard RAL and custom

match finishes available for an additional charge, please contact Schaefer's Electrical Enclosures, Inc. for further assistance. All powder coat finishes applied over cleaned phosphatized surfaces. Carbon steel sub panels have a white polyester powder coat finish. Stainless Steel and Aluminum enclosures have a polished #4 finish.

OPTIONS - Schaefer's Electrical Enclosures, Inc. can modify standard enclosures or custom design enclosures according to your specifications. Holes, cutouts, sizes, materials, and many more options are available. Quotations upon request.

INDUSTRY STANDARDS

- UL 50 Listed
- CUL 50 Listed
- Type 4 & 4X

Carbon Steel #	Catalog Number			Enclosure Size H x W x D (inches)	Shpg. Wt.	Sub Panel Part Number	Sub Panel Size H x L (inches)
	304 Stainless Steel #	316 Stainless Steel #	Aluminum #				
SPN4-16126	SPN4SS-16126	SPN4SS6-16126	SPN4AL-16126	16 x 12 x 6	24	SPP-1612	13 x 9
SPN4-16166	SPN4SS-16166	SPN4SS6-16166	SPN4AL-16166	16 x 16 x 6	29	SPP-1616	13 x 13
SPN4-16206	SPN4SS-16206	SPN4SS6-16206	SPN4AL-16206	16 x 20 x 6	33	SPP-2016	17 x 13
SPN4-20166	SPN4SS-20166	SPN4SS6-20166	SPN4AL-20166	20 x 16 x 6	33	SPP-2016	17 x 13
SPN4-20206	SPN4SS-20206	SPN4SS6-20206	SPN4AL-20206	20 x 20 x 6	38	SPP-2020	17 x 17
SPN4-24126	SPN4SS-24126	SPN4SS6-24126	SPN4AL-24126	24 x 12 x 6	32	SPP-2412	21 x 9
SPN4-24166	SPN4SS-24166	SPN4SS6-24166	SPN4AL-24166	24 x 16 x 6	39	SPP-2416	21 x 13
SPN4-24206	SPN4SS-24206	SPN4SS6-24206	SPN4AL-24206	24 x 20 x 6	45	SPP-2420	21 x 17
SPN4-24246	SPN4SS-24246	SPN4SS6-24246	SPN4AL-24246	24 x 24 x 6	51	SPP-2424	21 x 21
SPN4-30206	SPN4SS-30206	SPN4SS6-30206	SPN4AL-30206	30 x 20 x 6	53	SPP-3020	27 x 17
SPN4-30246	SPN4SS-30246	SPN4SS6-30246	SPN4AL-30246	30 x 24 x 6	61	SPP-3024	27 x 21
SPN4-36246	SPN4SS-36246	SPN4SS6-36246	SPN4AL-36246	36 x 24 x 6	69	SPP-3624	33 x 21
SPN4-20126	SPN4SS-20126	SPN4SS6-20126	SPN4AL-20126	20 x 12 x 6	29	SPP-2012	17 x 9
SPN4-12246	SPN4SS-12246	SPN4SS6-12246	SPN4AL-12246	12 x 24 x 6	32	SPP-1224	9 x 21
SPN4-20246	SPN4SS-20246	SPN4SS6-20246	SPN4AL-20246	20 x 24 x 6	46	SPP-2024	17 x 21
SPN4-30166	SPN4SS-30166	SPN4SS6-30166	SPN4AL-30166	30 x 16 x 6	46	SPP-3016	27 x 13
SPN4-36306	SPN4SS-36306	SPN4SS6-36306	SPN4AL-36306	36 x 30 x 6	86	SPP-3630	33 x 27
SPN4-12248	SPN4SS-12248	SPN4SS6-12248	SPN4AL-12248	12 x 24 x 8	35	SPP-1224	9 x 21
SPN4-16128	SPN4SS-16128	SPN4SS6-16128	SPN4AL-16128	16 x 12 x 8	27	SPP-1612	13 x 9
SPN4-16168	SPN4SS-16168	SPN4SS6-16168	SPN4AL-16168	16 x 16 x 8	31	SPP-1616	13 x 13
SPN4-16208	SPN4SS-16208	SPN4SS6-16208	SPN4AL-16208	16 x 20 x 8	29	SPP-2016	17 x 13
SPN4-20128	SPN4SS-20128	SPN4SS6-20128	SPN4AL-20128	20 x 12 x 8	30	SPP-2012	17 x 9
SPN4-20168	SPN4SS-20168	SPN4SS6-20168	SPN4AL-20168	20 x 16 x 8	36	SPP-2016	17 x 13
SPN4-20208	SPN4SS-20208	SPN4SS6-20208	SPN4AL-20208	20 x 20 x 8	43	SPP-2020	17 x 17
SPN4-20248	SPN4SS-20248	SPN4SS6-20248	SPN4AL-20248	20 x 24 x 8	50	SPP-2020	21 x 17
SPN4-24168	SPN4SS-24168	SPN4SS6-24168	SPN4AL-24168	24 x 16 x 8	41	SPP-2416	21 x 13
SPN4-24208	SPN4SS-24208	SPN4SS6-24208	SPN4AL-24208	24 x 20 x 8	50	SPP-2420	21 x 17
SPN4-24248	SPN4SS-24248	SPN4SS6-24248	SPN4AL-24248	24 x 24 x 8	57	SPP-2424	21 x 21
SPN4-24308	SPN4SS-24308	SPN4SS6-24308	SPN4AL-24308	34 x 30 x 8	66	SPP-2424	27 x 21
SPN4-30208	SPN4SS-30208	SPN4SS6-30208	SPN4AL-30208	30 x 20 x 8	56	SPP-3020	27 x 17
SPN4-30248	SPN4SS-30248	SPN4SS6-30248	SPN4AL-30248	30 x 24 x 8	67	SPP-3024	27 x 21
SPN4-30308	SPN4SS-30308	SPN4SS6-30308	SPN4AL-30308	30 x 30 x 8	79	SPP-3030	27 x 27
SPN4-30368	SPN4SS-30368	SPN4SS6-30368	SPN4AL-30368	30 x 36 x 8	90	SPP-3030	33 x 27
SPN4-36248	SPN4SS-36248	SPN4SS6-36248	SPN4AL-36248	36 x 24 x 8	75	SPP-3624	33 x 21
SPN4-36308	SPN4SS-36308	SPN4SS6-36308	SPN4AL-36308	36 x 30 x 8	95	SPP-3630	33 x 27
SPN4-36368	SPN4SS-36368	SPN4SS6-36368	SPN4AL-36368	36 x 36 x 8	104	SPP-3636	33 x 33
SPN4-42248	SPN4SS-42248	SPN4SS6-42248	SPN4AL-42248	42 x 24 x 8	85	SPP-4224	39 x 21
SPN4-42308	SPN4SS-42308	SPN4SS6-42308	SPN4AL-42308	42 x 30 x 8	105	SPP-4230	39 x 27
SPN4-42368	SPN4SS-42368	SPN4SS6-42368	SPN4AL-42368	42 x 36 x 8	120	SPP-4236	39 x 33
SPN4-48248	SPN4SS-48248	SPN4SS6-48248	SPN4AL-48248	48 x 24 x 8	97	SPP-4824	45 x 21
SPN4-48308	SPN4SS-48308	SPN4SS6-48308	SPN4AL-48308	48 x 30 x 8	119	SPP-4830	45 x 27
SPN4-48368	SPN4SS-48368	SPN4SS6-48368	SPN4AL-48368	48 x 36 x 8	137	SPP-4836	45 x 33

NOTE: Sub panels must be ordered separately. Reference page 122 for sub panel layout. Weights for Aluminum Enclosures are not listed. Please contact Schaefer's Electrical Enclosures, Inc. for weight.

Wall Mount Enclosures

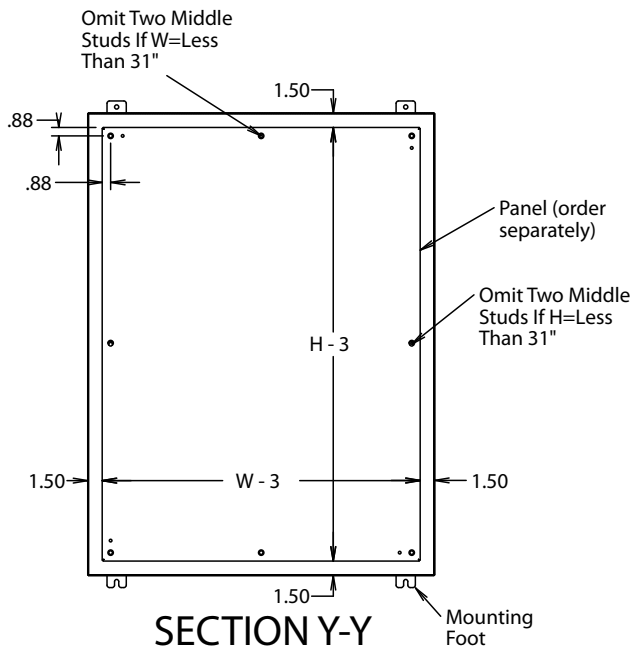
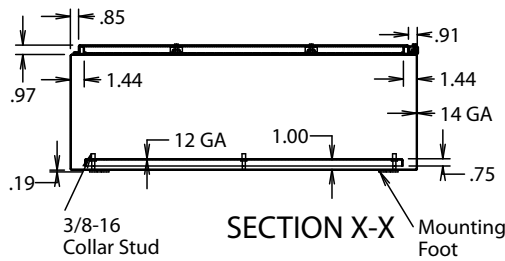
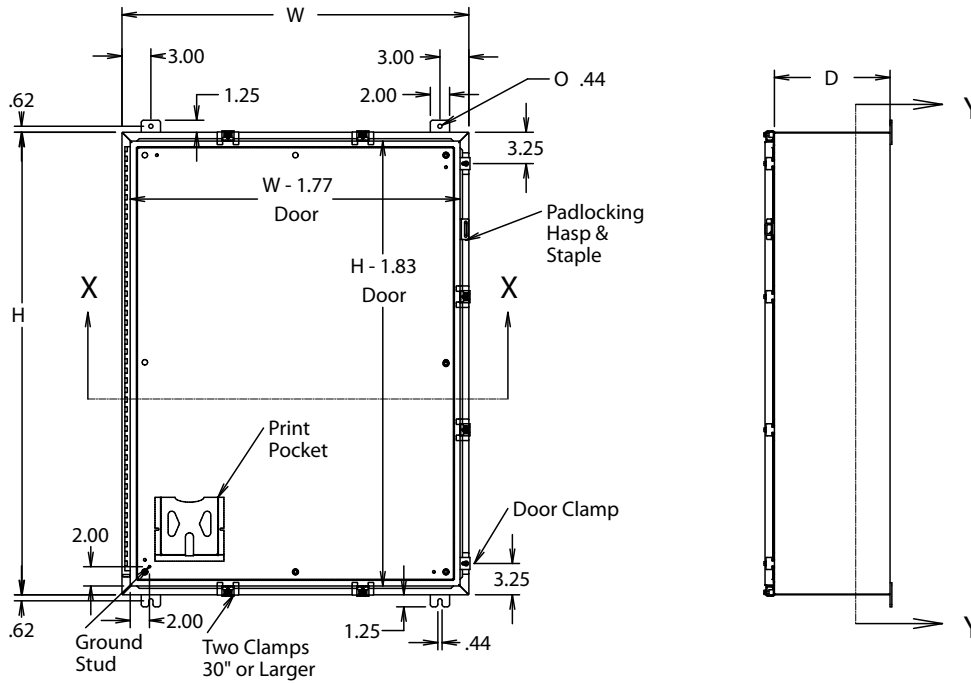
Type 4 & 4X Single Door



Carbon Steel #	Catalog Number			Enclosure Size H x W x D (inches)	Shpg. Wt.	Sub Panel Part Number	Sub Panel Size H x L (inches)
	304 Stainless Steel #	316 Stainless Steel #	Aluminum #				
SPN4-60368	SPN4SS-60368	SPN4SS6-60368	SPN4AL-60368	60 x 36 x 8	164	SPP-6036	57 x 33
SPN4-161210	SPN4SS-161210	SPN4SS6-161210	SPN4AL-161210	16 x 12 x 10	29	SPP-1612	13 x 9
SPN4-201610	SPN4SS-201610	SPN4SS6-201610	SPN4AL-201610	20 x 16 x 10	39	SPP-2016	17 x 13
SPN4-241210	SPN4SS-241210	SPN4SS6-241210	SPN4AL-241210	24 x 12 x 10	39	SPP-2412	21 x 9
SPN4-242010	SPN4SS-242010	SPN4SS6-242010	SPN4AL-242010	24 x 20 x 10	53	SPP-2420	21 x 17
SPN4-302010	SPN4SS-302010	SPN4SS6-302010	SPN4AL-302010	30 x 20 x 10	60	SPP-3020	27 x 17
SPN4-242410	SPN4SS-242410	SPN4SS6-242410	SPN4AL-242410	24 x 24 x 10	63	SPP-2424	21 x 21
SPN4-302410	SPN4SS-302410	SPN4SS6-302410	SPN4AL-302410	30 x 24 x 10	73	SPP-3024	27 x 21
SPN4-362410	SPN4SS-362410	SPN4SS6-362410	SPN4AL-362410	36 x 24 x 10	82	SPP-3624	33 x 21
SPN4-363010	SPN4SS-363010	SPN4SS6-363010	SPN4AL-363010	36 x 30 x 10	100	SPP-3630	33 x 27
SPN4-423010	SPN4SS-423010	SPN4SS6-423010	SPN4AL-423010	42 x 30 x 10	116	SPP-4230	39 x 27
SPN4-423610	SPN4SS-423610	SPN4SS6-423610	SPN4AL-423610	42 x 36 x 10	124	SPP-4236	39 x 33
SPN4-483010	SPN4SS-483010	SPN4SS6-483010	SPN4AL-483010	48 x 30 x 10	124	SPP-4830	45 x 27
SPN4-483610	SPN4SS-483610	SPN4SS6-483610	SPN4AL-483610	48 x 36 x 10	148	SPP-4836	45 x 33
SPN4-603610	SPN4SS-603610	SPN4SS6-603610	SPN4AL-603610	60 x 36 x 10	166	SPP-6036	57 x 33
SPN4-201612	SPN4SS-201612	SPN4SS6-201612	SPN4AL-201612	20 x 16 x 12	42	SPP-2016	17 x 13
SPN4-242012	SPN4SS-242012	SPN4SS6-242012	SPN4AL-242012	24 x 20 x 12	57	SPP-2420	21 x 17
SPN4-242412	SPN4SS-242412	SPN4SS6-242412	SPN4AL-242412	24 x 24 x 12	64	SPP-2424	21 x 21
SPN4-302412	SPN4SS-302412	SPN4SS6-302412	SPN4AL-302412	30 x 24 x 12	77	SPP-3024	27 x 21
SPN4-303012	SPN4SS-303012	SPN4SS6-303012	SPN4AL-303012	30 x 30 x 12	94	SPP-3030	27 x 27
SPN4-362412	SPN4SS-362412	SPN4SS6-362412	SPN4AL-362412	36 x 24 x 12	89	SPP-3624	33 x 21
SPN4-363012	SPN4SS-363012	SPN4SS6-363012	SPN4AL-363012	36 x 30 x 12	103	SPP-3630	33 x 27
SPN4-423012	SPN4SS-423012	SPN4SS6-423012	SPN4AL-423012	42 x 30 x 12	122	SPP-4230	39 x 27
SPN4-723012	SPN4SS-723012	SPN4SS6-723012	SPN4AL-723012	72 x 30 x 12	181	SPP-7230	69 x 27
SPN4-363612	SPN4SS-363612	SPN4SS6-363612	SPN4AL-363612	36 x 36 x 12	127	SPP-3636	33 x 33
SPN4-423612	SPN4SS-423612	SPN4SS6-423612	SPN4AL-423612	42 x 36 x 12	135	SPP-4236	39 x 33
SPN4-483612	SPN4SS-483612	SPN4SS6-483612	SPN4AL-483612	48 x 36 x 12	152	SPP-4836	45 x 33
SPN4-603612	SPN4SS-603612	SPN4SS6-603612	SPN4AL-603612	60 x 36 x 12	190	SPP-6036	57 x 33
SPN4-723612	SPN4SS-723612	SPN4SS6-723612	SPN4AL-723612	72 x 36 x 12	215	SPP-7236	69 x 33
SPN4-242016	SPN4SS-242016	SPN4SS6-242016	SPN4AL-242016	24 x 20 x 16	67	SPP-2420	21 x 17
SPN4-242416	SPN4SS-242416	SPN4SS6-242416	SPN4AL-242416	24 x 24 x 16	75	SPP-2424	21 x 21
SPN4-302416	SPN4SS-302416	SPN4SS6-302416	SPN4AL-302416	30 x 24 x 16	88	SPP-3024	27 x 21
SPN4-363016	SPN4SS-363016	SPN4SS6-363016	SPN4AL-363016	36 x 30 x 16	121	SPP-3630	33 x 27
SPN4-723016	SPN4SS-723016	SPN4SS6-723016	SPN4AL-723016	72 x 30 x 16	206	SPP-7230	69 x 27
SPN4-423616	SPN4SS-423616	SPN4SS6-423616	SPN4AL-423616	42 x 36 x 16	155	SPP-4236	39 x 33
SPN4-483616	SPN4SS-483616	SPN4SS6-483616	SPN4AL-483616	48 x 36 x 16	170	SPP-4836	45 x 33
SPN4-603616	SPN4SS-603616	SPN4SS6-603616	SPN4AL-603616	60 x 36 x 16	199	SPP-6036	57 x 33
SPN4-302420	SPN4SS-302420	SPN4SS6-302420	SPN4AL-302420	30 x 24 x 20	96	SPP-3024	27 x 21
SPN4-363020	SPN4SS-363020	SPN4SS6-363020	SPN4AL-363020	36 x 30 x 20	127	SPP-3630	33 x 27
SPN4-723020	SPN4SS-723020	SPN4SS6-723020	SPN4AL-723020	72 x 30 x 20	227	SPP-7230	69 x 27
SPN4-483620	SPN4SS-483620	SPN4SS6-483620	SPN4AL-483620	48 x 36 x 20	190	SPP-4836	45 x 33
SPN4-603620	SPN4SS-603620	SPN4SS6-603620	SPN4AL-603620	60 x 36 x 20	240	SPP-6036	57 x 33
SPN4-302424	SPN4SS-302424	SPN4SS6-302424	SPN4AL-302424	30 x 24 x 24	109	SPP-3024	27 x 21
SPN4-723024	SPN4SS-723024	SPN4SS6-723024	SPN4AL-723024	72 x 30 x 24	243	SPP-7230	69 x 27

NOTE: Sub panels must be ordered separately. Reference page 122 for sub panel layout.
Weights for Aluminum Enclosures are not listed. Please contact Schaefer's Electrical Enclosures, Inc. for weight.

SPN4 • SPN4SS • SPN4SS6



NOTES:

1. Print pocket = 6" x 6" when H and W are 24" or less.
Print pocket = 9" x 9" when H and W are greater than 24".
2. Panels have formed flanges on all four sides when Height or Width is equal to or greater than 18".
3. On 12" wide enclosures, center of mounting foot to edge of enclosure is 1.25".