

# Wall Mount Enclosures

## Type 12 Single Door



**APPLICATIONS** - Designed to offer protection for electrical controls, instruments, and terminals from dust, dripping liquids, oil, and dirt.

**CONSTRUCTION** - Fabricated from 14 gauge carbon steel, 14 gauge type 304,

type 316 stainless steel, or .125" 5052 H32 aluminum with continuous welded seams. Enclosure features:

- Door is secured with heavy-duty continuous hinge with removable hinge pin and clamps.
- Padlocking hasp and staple.
- Adhesive backed, oil resistant gasket applied to the doors.
- Print pocket.
- External mounting feet for wall or machinery mounting.
- Ground studs installed inside cabinet and door.
- Collar studs provided for mounting optional sub panels.

**FINISH** - Standard RAL 7035 texture polyester powder coat finish on interior and exterior of enclosures. Recoatable, smooth, white or ANSI-61 gray available

at no charge. Standard RAL and custom match finishes available for an additional charge, please contact Schaefer's Electrical Enclosures, Inc. for further assistance. All powder coat finishes applied over cleaned phosphatized surfaces. Carbon steel sub panel have a white polyester powder coat finish. Stainless Steel and Aluminum enclosures have a polished #4 finish.

**OPTIONS** - Schaefer's Electrical Enclosures, Inc. can modify standard enclosures or custom design enclosures according to your specifications. Holes, cutouts, louvers, sizes, materials, and many more options are available. Quotations upon request.

### INDUSTRY STANDARDS

- UL 50 Listed
- CUL 50 Listed
- Type 12

Carbon Steel #	Catalog Number			Enclosure Size H x W x D (inches)	Shpg. Wt.	Sub Panel Part Number	Sub Panel Size (H x L)
	304 Stainless Steel #	316 Stainless Steel #	Aluminum #				
SPN12-16126	SPN12SS-16126	SPN12SS6-16126	SPN12AL-16126	16 x 12 x 6	24	SPP-1612	13 x 9
SPN12-20126	SPN12SS-20126	SPN12SS6-20126	SPN12AL-20126	20 x 12 x 6	29	SPP-2012	17 x 9
SPN12-24126	SPN12SS-24126	SPN12SS6-24126	SPN12AL-24126	24 x 12 x 6	32	SPP-2412	21 x 9
SPN12-16166	SPN12SS-16166	SPN12SS6-16166	SPN12AL-16166	16 x 16 x 6	29	SPP-1616	13 x 13
SPN12-20166	SPN12SS-20166	SPN12SS6-20166	SPN12AL-20166	20 x 16 x 6	33	SPP-2016	17 x 13
SPN12-24166	SPN12SS-24166	SPN12SS6-24166	SPN12AL-24166	24 x 16 x 6	39	SPP-2416	21 x 13
SPN12-30166	SPN12SS-30166	SPN12SS6-30166	SPN12AL-30166	30 x 16 x 6	46	SPP-3016	27 x 13
SPN12-16206	SPN12SS-16206	SPN12SS6-16206	SPN12AL-16206	16 x 20 x 6	33	SPP-2016	17 x 13
SPN12-20206	SPN12SS-20206	SPN12SS6-20206	SPN12AL-20206	20 x 20 x 6	38	SPP-2020	17 x 17
SPN12-24206	SPN12SS-24206	SPN12SS6-24206	SPN12AL-24206	24 x 20 x 6	45	SPP-2420	21 x 17
SPN12-30206	SPN12SS-30206	SPN12SS6-30206	SPN12AL-30206	30 x 20 x 6	53	SPP-3020	27 x 17
SPN12-12246	SPN12SS-12246	SPN12SS6-12246	SPN12AL-12246	12 x 24 x 6	32	SPP-2412	21 x 9
SPN12-20246	SPN12SS-20246	SPN12SS6-20246	SPN12AL-20246	20 x 24 x 6	46	SPP-2420	17 x 21
SPN12-24246	SPN12SS-24246	SPN12SS6-24246	SPN12AL-24246	24 x 24 x 6	51	SPP-2424	21 x 21
SPN12-30246	SPN12SS-30246	SPN12SS6-30246	SPN12AL-30246	30 x 24 x 6	61	SPP-3024	21 x 21
SPN12-36246	SPN12SS-36246	SPN12SS6-36246	SPN12AL-36246	36 x 24 x 6	69	SPP-3624	33 x 21
SPN12-36306	SPN12SS-36306	SPN12SS6-36306	SPN12AL-36306	36 x 30 x 6	86	SPP-3630	33 x 27
SPN12-12248	SPN12SS-12248	SPN12SS6-12248	SPN12AL-12248	12 x 24 x 8	35	SPP-2412	9 x 21
SPN12-16128	SPN12SS-16128	SPN12SS6-16128	SPN12AL-16128	16 x 12 x 8	27	SPP-1612	13 x 9
SPN12-16168	SPN12SS-16168	SPN12SS6-16168	SPN12AL-16168	16 x 16 x 8	31	SPP-1616	13 x 13
SPN12-16208	SPN12SS-16208	SPN12SS6-16208	SPN12AL-16208	16 x 20 x 8	29	SPP-2016	13 x 17
SPN12-20128	SPN12SS-20128	SPN12SS6-20128	SPN12AL-20128	20 x 12 x 8	30	SPP-2012	17 x 9
SPN12-20168	SPN12SS-20168	SPN12SS6-20168	SPN12AL-20168	20 x 16 x 8	36	SPP-2016	17 x 13
SPN12-20208	SPN12SS-20208	SPN12SS6-20208	SPN12AL-20208	20 x 20 x 8	43	SPP-2020	17 x 17
SPN12-20248	SPN12SS-20248	SPN12SS6-20248	SPN12AL-20248	20 x 24 x 8	50	SPP-2420	17 x 21
SPN12-24168	SPN12SS-24168	SPN12SS6-24168	SPN12AL-24168	24 x 16 x 8	41	SPP-2416	21 x 13
SPN12-24208	SPN12SS-24208	SPN12SS6-24208	SPN12AL-24208	24 x 20 x 8	50	SPP-2420	21 x 17
SPN12-24248	SPN12SS-24248	SPN12SS6-24248	SPN12AL-24248	24 x 24 x 8	57	SPP-2424	21 x 21
SPN12-24308	SPN12SS-24308	SPN12SS6-24308	SPN12AL-24308	24 x 30 x 8	66	SPP-3024	27 x 21
SPN12-30208	SPN12SS-30208	SPN12SS6-30208	SPN12AL-30208	30 x 20 x 8	56	SPP-3020	27 x 17
SPN12-30248	SPN12SS-30248	SPN12SS6-30248	SPN12AL-30248	30 x 24 x 8	67	SPP-3024	27 x 21
SPN12-36248	SPN12SS-36248	SPN12SS6-36248	SPN12AL-36248	36 x 24 x 8	75	SPP-3624	33 x 21
SPN12-42248	SPN12SS-42248	SPN12SS6-42248	SPN12AL-42248	42 x 24 x 8	85	SPP-4224	39 x 21
SPN12-48248	SPN12SS-48248	SPN12SS6-48248	SPN12AL-48248	48 x 24 x 8	97	SPP-4824	45 x 21
SPN12-30308	SPN12SS-30308	SPN12SS6-30308	SPN12AL-30308	30 x 30 x 8	79	SPP-3030	27 x 27
SPN12-36308	SPN12SS-36308	SPN12SS6-36308	SPN12AL-36308	36 x 30 x 8	95	SPP-3630	33 x 27
SPN12-42308	SPN12SS-42308	SPN12SS6-42308	SPN12AL-42308	42 x 30 x 8	105	SPP-4230	39 x 27
SPN12-48308	SPN12SS-48308	SPN12SS6-48308	SPN12AL-48308	48 x 30 x 8	119	SPP-4830	45 x 27
SPN12-30368	SPN12SS-30368	SPN12SS6-30368	SPN12AL-30368	30 x 36 x 8	90	SPP-3630	27 x 33
SPN12-36368	SPN12SS-36368	SPN12SS6-36368	SPN12AL-36368	36 x 36 x 8	104	SPP-3636	33 x 33
SPN12-42368	SPN12SS-42368	SPN12SS6-42368	SPN12AL-42368	42 x 36 x 8	120	SPP-4236	39 x 33

**NOTE:** Sub panels must be ordered separately. Reference page 122 for sub panel layout.  
Weights for Aluminum Enclosures are not listed. Please contact Schaefer's Electrical Enclosures, Inc. for weight.

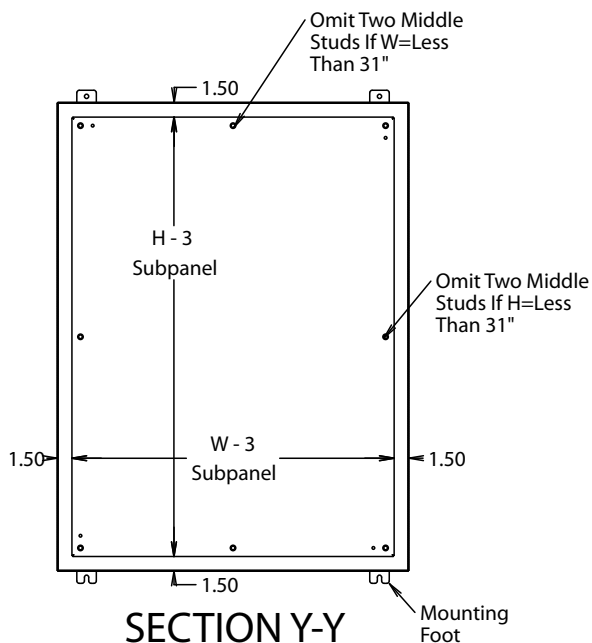
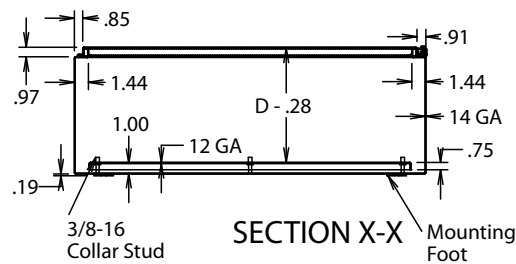
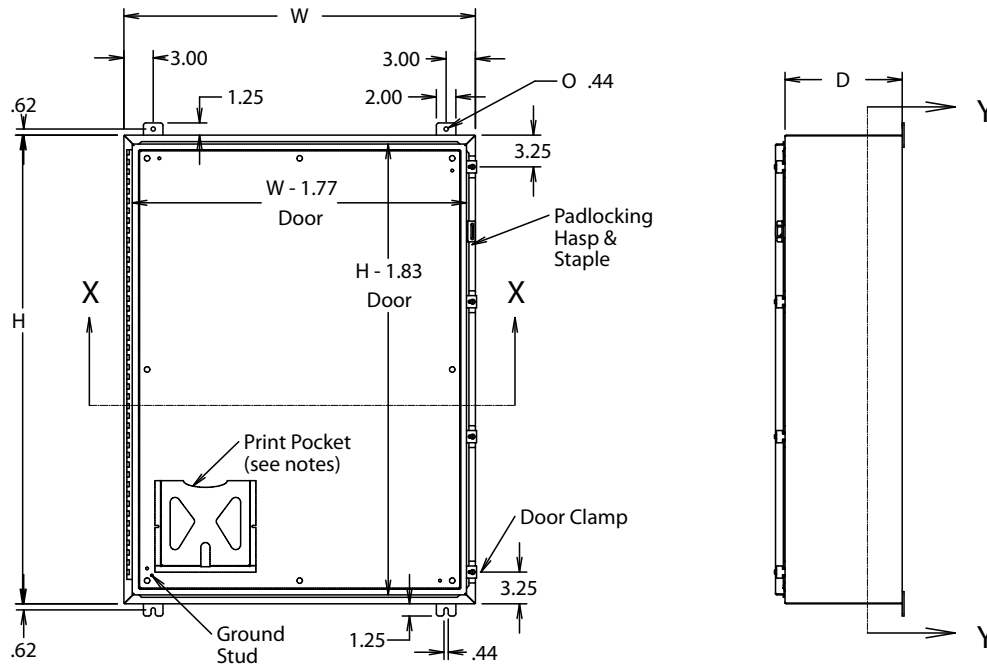
Carbon Steel #	Catalog Number			Enclosure Size H x W x D (inches)	Shpg. Wt.	Sub Panel Part Number	Sub Panel Size (H x L)
	304 Stainless Steel #	316 Stainless Steel #	Aluminum #				
SPN12-48368	SPN12SS-48368	SPN12SS6-48368	SPN12AL-48368	48 x 36 x 8	137	SPP-4836	45 x 33
SPN12-60368	SPN12SS-60368	SPN12SS6-60368	SPN12AL-60368	60 x 36 x 8	164	SPP-6036	57 x 33
SPN12-161210	SPN12SS-161210	SPN12SS6-161210	SPN12AL-161210	16 x 12 x 10	29	SPP-1612	13 x 9
SPN12-241210	SPN12SS-241210	SPN12SS6-241210	SPN12AL-241210	24 x 12 x 10	39	SPP-2412	21 x 9
SPN12-201610	SPN12SS-201610	SPN12SS6-201610	SPN12AL-201610	20 x 16 x 10	39	SPP-2016	17 x 13
SPN12-242010	SPN12SS-242010	SPN12SS6-242010	SPN12AL-242010	24 x 20 x 10	53	SPP-2420	21 x 17
SPN12-302010	SPN12SS-302010	SPN12SS6-302010	SPN12AL-302010	30 x 20 x 10	60	SPP-3020	27 x 17
SPN12-242410	SPN12SS-242410	SPN12SS6-242410	SPN12AL-242410	24 x 24 x 10	63	SPP-2424	21 x 21
SPN12-302410	SPN12SS-302410	SPN12SS6-302410	SPN12AL-302410	30 x 24 x 10	73	SPP-3024	27 x 21
SPN12-362410	SPN12SS-362410	SPN12SS6-362410	SPN12AL-362410	36 x 24 x 10	82	SPP-3624	33 x 21
SPN12-363010	SPN12SS-363010	SPN12SS6-363010	SPN12AL-363010	36 x 30 x 10	100	SPP-3630	33 x 27
SPN12-423010	SPN12SS-423010	SPN12SS6-423010	SPN12AL-423010	42 x 30 x 10	116	SPP-4230	39 x 27
SPN12-423010	SPN12SS-423010	SPN12SS6-423010	SPN12AL-423010	42 x 30 x 10	111	SPP-4230	39 x 27
SPN12-483010	SPN12SS-483010	SPN12SS6-483010	SPN12AL-483010	48 x 30 x 10	124	SPP-4830	45 x 27
SPN12-423610	SPN12SS-423610	SPN12SS6-423610	SPN12AL-423610	42 x 36 x 10	124	SPP-4236	39 x 33
SPN12-483010	SPN12SS-483010	SPN12SS6-483010	SPN12AL-483010	48 x 30 x 10	124	SPP-4830	45 x 27
SPN12-483610	SPN12SS-483610	SPN12SS6-483610	SPN12AL-483610	48 x 36 x 10	148	SPP-4836	45 x 33
SPN12-603610	SPN12SS-603610	SPN12SS6-603610	SPN12AL-603610	60 x 36 x 10	166	SPP-6036	57 x 33
SPN12-201612	SPN12SS-201612	SPN12SS6-201612	SPN12AL-201612	20 x 16 x 12	42	SPP-2016	17 x 13
SPN12-242012	SPN12SS-242012	SPN12SS6-242012	SPN12AL-242012	24 x 20 x 12	57	SPP-2420	21 x 17
SPN12-242412	SPN12SS-242412	SPN12SS6-242412	SPN12AL-242412	24 x 24 x 12	64	SPP-2424	21 x 21
SPN12-302412	SPN12SS-302412	SPN12SS6-302412	SPN12AL-302412	30 x 24 x 12	77	SPP-3024	27 x 21
SPN12-362412	SPN12SS-362412	SPN12SS6-362412	SPN12AL-362412	36 x 24 x 12	89	SPP-3624	33 x 21
SPN12-303012	SPN12SS-303012	SPN12SS6-303012	SPN12AL-303012	30 x 30 x 12	94	SPP-3030	27 x 27
SPN12-363012	SPN12SS-363012	SPN12SS6-363012	SPN12AL-363012	36 x 30 x 12	103	SPP-3630	33 x 27
SPN12-423012	SPN12SS-423012	SPN12SS6-423012	SPN12AL-423012	42 x 30 x 12	122	SPP-4230	39 x 27
SPN12-723012	SPN12SS-723012	SPN12SS6-723012	SPN12AL-723012	72 x 30 x 12	181	SPP-7230	69 x 27
SPN12-363612	SPN12SS-363612	SPN12SS6-363612	SPN12AL-363612	36 x 36 x 12	127	SPP-3636	33 x 33
SPN12-423612	SPN12SS-423612	SPN12SS6-423612	SPN12AL-423612	42 x 63 x 12	135	SPP-4236	39 x 33
SPN12-483612	SPN12SS-483612	SPN12SS6-483612	SPN12AL-483612	48 x 36 x 12	152	SPP-4836	45 x 33
SPN12-603612	SPN12SS-603612	SPN12SS6-603612	SPN12AL-603612	60 x 36 x 12	176	SPP-6036	57 x 33
SPN12-723612	SPN12SS-723612	SPN12SS6-723612	SPN12AL-723612	72 x 36 x 12	215	SPP-7236	69 x 33
SPN12-242016	SPN12SS-242016	SPN12SS6-242016	SPN12AL-242016	24 x 20 x 16	67	SPP-2420	21 x 17
SPN12-242416	SPN12SS-242416	SPN12SS6-242416	SPN12AL-242416	24 x 24 x 16	75	SPP-2424	21 x 21
SPN12-302416	SPN12SS-302416	SPN12SS6-302416	SPN12AL-302416	30 x 24 x 16	88	SPP-3024	27 x 21
SPN12-363016	SPN12SS-363016	SPN12SS6-363016	SPN12AL-363016	36 x 30 x 16	121	SPP-3630	33 x 27
SPN12-723016	SPN12SS-723016	SPN12SS6-723016	SPN12AL-723016	72 x 30 x 16	206	SPP-7230	69 x 27
SPN12-423616	SPN12SS-423616	SPN12SS6-423616	SPN12AL-423616	42 x 36 x 16	155	SPP-4236	39 x 33
SPN12-483616	SPN12SS-483616	SPN12SS6-483616	SPN12AL-483616	48 x 36 x 16	170	SPP-4836	45 x 33
SPN12-603616	SPN12SS-603616	SPN12SS6-603616	SPN12AL-603616	60 x 36 x 16	199	SPP-6036	57 x 33
SPN12-302420	SPN12SS-302420	SPN12SS6-302420	SPN12AL-302420	30 x 24 x 20	96	SPP-3024	27 x 21
SPN12-363020	SPN12SS-363020	SPN12SS6-363020	SPN12AL-363020	36 x 30 x 20	127	SPP-3630	33 x 27
SPN12-483620	SPN12SS-483620	SPN12SS6-483620	SPN12AL-483620	48 x 36 x 20	170	SPP-4836	45 x 33
SPN12-603620	SPN12SS-603620	SPN12SS6-603620	SPN12AL-603620	60 x 36 x 20	219	SPP-6036	57 x 33
SPN12-723020	SPN12SS-723020	SPN12SS6-723020	SPN12AL-723020	72 x 30 x 20	227	SPP-7230	69 x 27
SPN12-302424	SPN12SS-302424	SPN12SS6-302424	SPN12AL-302424	30 x 24 x 24	109	SPP-3024	27 x 21
SPN12-723024	SPN12SS-723024	SPN12SS6-723024	SPN12AL-723024	72 x 30 x 24	243	SPP-7230	69 x 27

**NOTE:** Sub panels must be ordered separately. Reference page 122 for sub panel layout.  
Weights for Aluminum Enclosures are not listed. Please contact Schaefer's Electrical Enclosures, Inc. for weight.

# Wall Mount Enclosures

## Type 12 Single Door

SPN12 • SPN12SS • SPN12SS6 • SPN12AL



### NOTES:

1. Print pocket = 6" x 6" when H and W are 24" or less.  
Print pocket = 9" x 9" when H and W are greater than 24".
2. Panels will have formed flanges when either Height or Width is greater than or equal to 18".
3. On 12" wide enclosures, center of mounting foot to edge of enclosure is 1.25".