

**APPLICATIONS** - Designed to provide protection for electrical controls, instruments, and terminals from dust, dripping liquids, dirt, and oil.

**CONSTRUCTION** - Fabricated from 14 gauge carbon steel, type 304 or type 316 stainless steel with continuous welded seams. Enclosure features:

- Overlapping doors are secured with continuous hinges with removable hinge pins and key locking handle with three point latching system.
- Adhesive backed, oil resistant gasket applied to the doors.
- Print pocket.
- External mounting feet for wall or machinery mounting.
- Ground studs installed inside cabinet and door.
- Collar studs provided for mounting optional sub panels.

**FINISH** - Standard RAL 7035 texture polyester powder coat finish on interior

and exterior of enclosures. Recoatable, smooth, white or ANSI-61 gray available at no charge. Standard RAL and custom match finishes available for an additional charge, please contact Schaefer's Electrical Enclosures, Inc. for further assistance. All powder coat finishes applied over cleaned phosphatized surfaces. Carbon steel sub panels have a white polyester powder coat finish. Stainless Steel enclosures have a polished #4 finish.

**OPTIONS** - Schaefer's Electrical Enclosures, Inc. can modify standard enclosures or custom design enclosures according to your specifications. Holes, hubs, cutouts, louvers, sizes, materials, and many more options are available. Quotations upon request.

**INDUSTRY STANDARDS**

- UL 50 Listed
- CUL 50 Listed
- Type 12

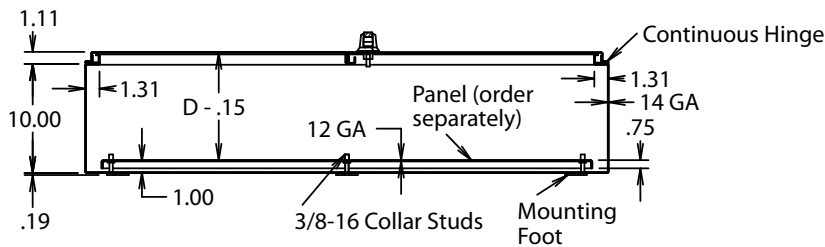
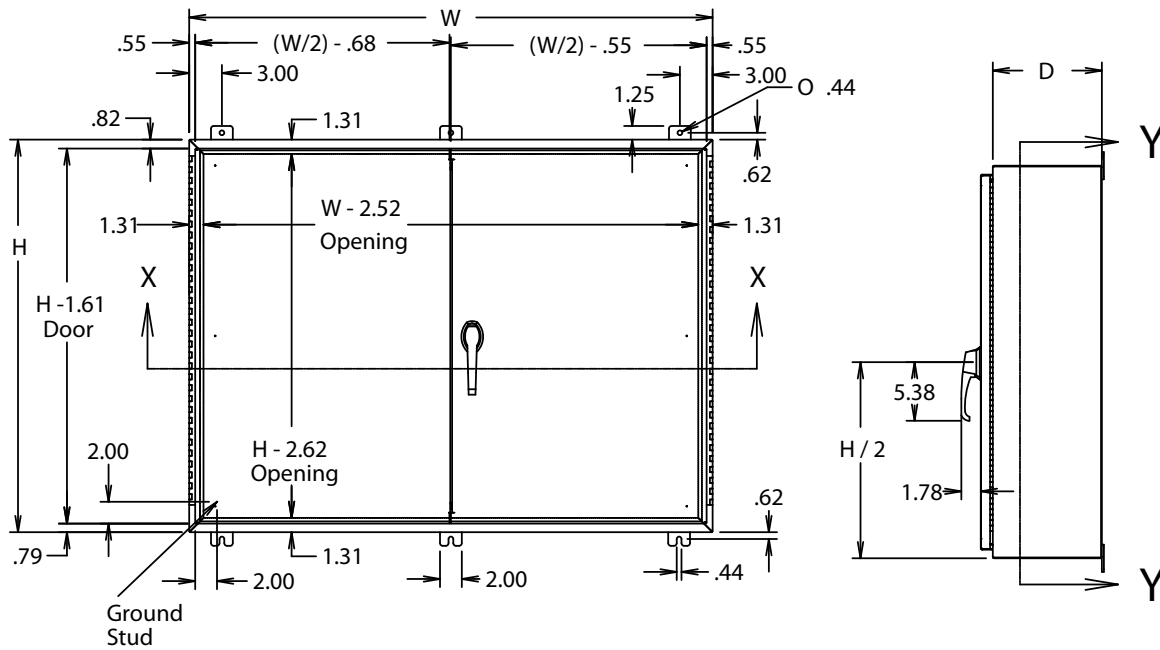
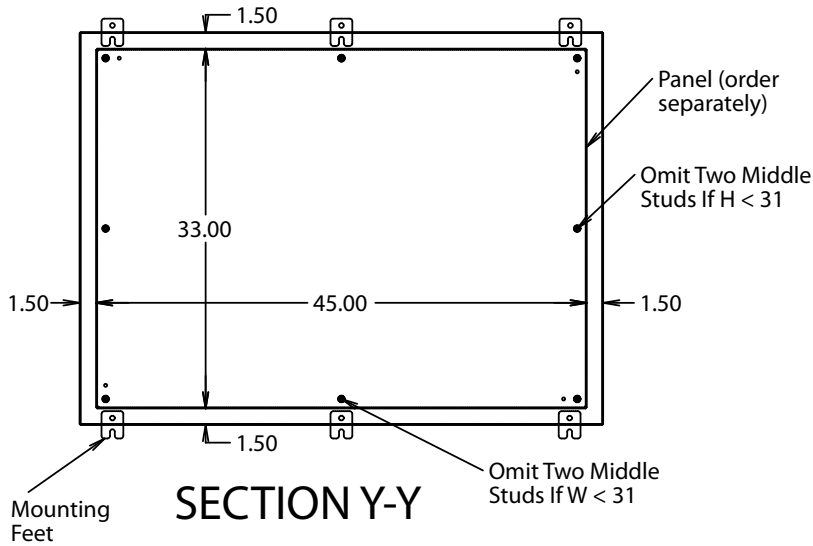
Carbon Steel #	Catalog Number		Enclosure Size		Sub Panel Part Number	Sub Panel Size	
	304 Stainless Steel #	316 Stainless Steel #	H x W x D (inches)	Shpg. Wt.		H x W (inches)	
SPWF-244208	SPWFSS-244208	SPWFSS6-244208	24 x 42 x 8	94	SPP-4224	39 x 21	
SPWF-244808	SPWFSS-244808	SPWFSS6-244808	24 x 48 x 8	106	SPP-4824	45 x 21	
SPWF-304210	SPWFSS-304210	SPWFSS6-304210	30 x 42 x 10	121	SPP-4230	39 x 27	
SPWF-304810	SPWFSS-304810	SPWFSS6-304810	30 x 48 x 10	136	SPP-4830	45 x 27	
SPWF-306010	SPWFSS-306010	SPWFSS6-306010	30 x 60 x 10	165	SPP-6030	57 x 27	
SPWF-304212	SPWFSS-304212	SPWFSS6-304212	30 x 42 x 12	130	SPP-4230	39 x 27	
SPWF-364212	SPWFSS-364212	SPWFSS6-364212	36 x 42 x 12	150	SPP-4236	39 x 33	
SPWF-424212	SPWFSS-424212	SPWFSS6-424212	42 x 42 x 12	170	SPP-4242	39 x 39	
SPWF-304812	SPWFSS-304812	SPWFSS6-304812	30 x 48 x 12	145	SPP-4830	45 x 27	
SPWF-364812	SPWFSS-364812	SPWFSS6-364812	36 x 48 x 12	167	SPP-4836	45 x 33	
SPWF-424812	SPWFSS-424812	SPWFSS6-424812	42 x 48 x 12	189	SPP-4248	39 x 45	
SPWF-484812	SPWFSS-484812	SPWFSS6-484812	48 x 48 x 12	212	SPP-4848	45 x 45	
SPWF-306012	SPWFSS-306012	SPWFSS6-306012	30 x 60 x 10	176	SPP-6030	57 x 27	
SPWF-366012	SPWFSS-366012	SPWFSS6-366012	36 x 60 x 12	203	SPP-6036	57 x 33	
SPWF-426012	SPWFSS-426012	SPWFSS6-426012	42 x 60 x 12	229	SPP-4260	57 x 39	
SPWF-486012	SPWFSS-486012	SPWFSS6-486012	48 x 60 x 12	256	SPP-6048	57 x 45	
SPWF-606012	SPWFSS-606012	SPWFSS6-606012	60 x 60 x 12	308	SPP-6060	57 x 57	
SPWF-304216	SPWFSS-304216	SPWFSS6-304216	30 x 42 x 16	148	SPP-4230	39 x 27	
SPWF-364216	SPWFSS-364216	SPWFSS6-364216	36 x 42 x 16	169	SPP-4236	39 x 33	
SPWF-424216	SPWFSS-424216	SPWFSS6-424216	42 x 42 x 16	190	SPP-4242	39 x 39	
SPWF-306016	SPWFSS-306016	SPWFSS6-306016	30 x 60 x 16	198	SPP-6030	57 x 27	
SPWF-364816	SPWFSS-364816	SPWFSS6-364816	36 x 48 x 16	188	SPP-4836	45 x 33	
SPWF-366016	SPWFSS-366016	SPWFSS6-366016	36 x 60 x 16	226	SPP-6036	57 x 33	
SPWF-424816	SPWFSS-424816	SPWFSS6-424816	42 x 48 x 16	212	SPP-4248	45 x 39	
SPWF-484816	SPWFSS-484816	SPWFSS6-484816	48 x 48 x 16	235	SPP-4848	45 x 45	
SPWF-486016	SPWFSS-486016	SPWFSS6-486016	48 x 60 x 16	282	SPP-6048	57 x 45	
SPWF-426016	SPWFSS-426016	SPWFSS6-426016	42 x 60 x 16	254	SPP-4260	39 x 57	
SPWF-606016	SPWFSS-606016	SPWFSS6-606016	60 x 60 x 16	338	SPP-6060	57 x 57	

\* Sub panels must be ordered separately. Reference page 122 for sub panel layout

# Wall Mount Enclosures

## Type 12 Double Door

SPWF • SPWFSS • SPWFSS6



**NOTES:**

1. 9" x 9" Print pocket shipped inside enclosure.
2. Subpanel dimensions = H-3, W-3