

CONSTRUCTION - Fabricated from 14 gauge carbon steel, type 304 or type 316 stainless steel. Enclosure features:

- Strong and rigid construction.
- All seams are continuously welded.
- Rolled lip around all sides of enclosure opening to increase strength and help keep dirt and liquids out when the door is open.
- A 14 gauge carbon steel, 14 gauge type 304 stainless steel, or 316 stainless steel frame with mounting holes extends completely around enclosure.
- Collar studs provided for mounting optional sub panels.
- Door is secured with concealed lift-off hinges and slotted quarter turn latch(es)

at no charge. Standard RAL and custom match finishes available for an additional charge, please contact Schaefer's Electrical Enclosures for further assistance. All powder coat finishes applied over cleaned phosphatized surfaces. Carbon steel sub panels have a white polyester powder coat finish. Stainless Steel enclosures have a polished #4 finish.

OPTIONS - Schaefer's Electrical Enclosures can modify standard enclosures or custom design enclosures according to your specifications. Holes, cutouts, sizes, materials, and many more options are available. Quotations upon request.

INDUSTRY STANDARDS

- UL 50 Listed
- CUL 50 Listed
- Type 12, 13, 4, 4X

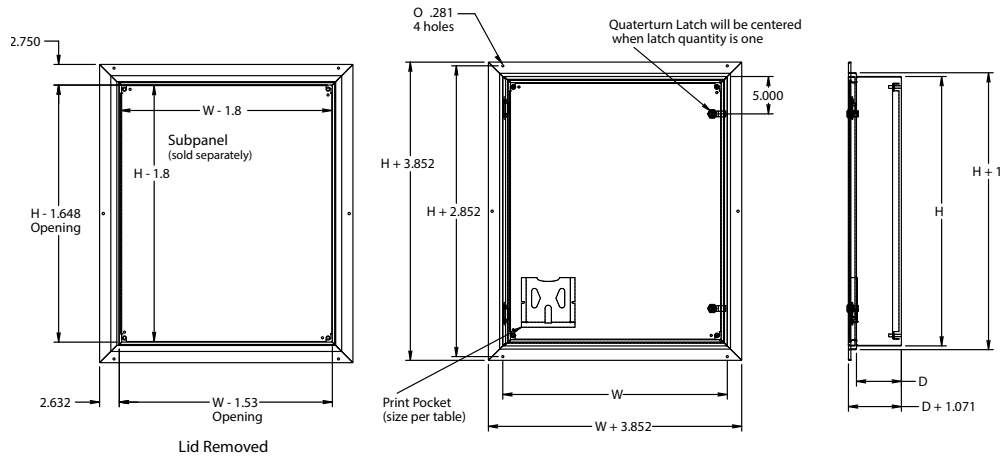
APPLICATIONS - Designed to house electrical controls, terminals and instruments; providing protection from dust, dirt, oil and water.

FINISH - Standard RAL 7035 texture polyester powder coat finish on interior and exterior of enclosures. Recoatable, smooth, white or ANSI-61 gray available

Carbon Steel #	Catalog Number 306 Stainless Steel #	316 Stainless Steel #	Enclosure Size H x W x D (inches)	Shpg. Wt.	Sub Panel Part Number	Sub Panel Size H x W (inches)
ESFM-16126	ESFMSS-16126	ESFMSS6-16126	16.00 x 12.00 x 6.00	27	ES-P1612	14.2 x 10.2
ESFM-20166	ESFMSS-20166	ESFMSS6-20166	20.00 x 16.00 x 6.00	38	ES-P2016	18.2 x 14.2
ESFM-20206	ESFMSS-20206	ESFMSS6-20206	20.00 x 20.00 x 6.00	44	ES-P2020	18.2 x 18.2
ESFM-24206	ESFMSS-24206	ESFMSS6-24206	24.00 x 20.00 x 6.00	50	ES-P2420	22.2 x 18.2
ESFM-24248	ESFMSS-24248	ESFMSS6-24248	24.00 x 24.00 x 8.00	61	ES-P2424	22.2 x 22.2
ESFM-30248	ESFMSS-30248	ESFMSS6-30248	30.00 x 24.00 x 8.00	73	ES-P3024	28.2 x 22.2

NOTE: Sub panels must be ordered separately. Reference page 123 for sub panel layout

ESFM



NOTES:

1. Print pocket = 6" x 6" when H and W are 24" or less.
Print pocket = 9" x 9" when H and W are greater than 24"
2. Panels have formed flanges on all four sides when either Height or Width is equal to or greater than 22.2".
3. When Height and Width are less than 23" enclosure will have one slotted quarterturn latch.
4. When Height and Width are greater than 23" enclosure will have two slotted quarterturn latches.
5. When Height is equal to or greater than 42" enclosure will have one 3 point slotted quarterturn latch.