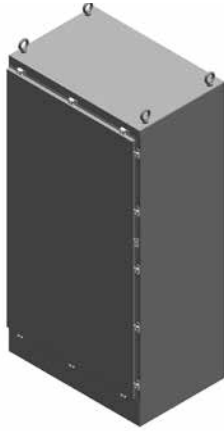


Freestanding Enclosures

Type 4 Single Door Freestanding Enclosure



CONSTRUCTION - Fabricated from 12 gauge carbon steel, type 304 or type 316 stainless steel with continuously welded seams. Enclosure features:

- Doors are secured with heavy-duty continuous hinges with removable hinge pins and clamps and screws on three sides.
- Adhesive backed, oil resistant gasket applied to doors.
- Unistrut channel.
- Print pocket.
- Heavy-duty lifting eyes.
- Ground studs inside enclosure and door.
- Collar studs provided for mounting optional sub pane in back.

FINISH - Standard RAL 7035 texture polyester powder coat finish on interior and exterior of enclosures. Recoatable, smooth, white or ANSI-61 gray available at no charge. Standard RAL and custom match finishes available for an additional charge, please contact Schaefer's Electrical Enclosures, Inc. for further assistance. All powder coat finishes applied over cleaned phosphatized surfaces. Carbon steel sub panels have a white polyester powder coat finish. Stainless Steel enclosures have a polished #4 finish.

OPTIONS - Schaefer's Electrical Enclosures, Inc. can modify standard enclosures or custom design enclosures according to your specifications. Holes, cutouts, sizes, materials, and many more options are available. Quotations upon request.

ACCESSORIES (Ordered Separately)

- Sub panels include full size, half size, side mount and swing out panels can be mounted and adjusted for depth on the horizontal unistrut channel.
- Clamping nuts for installing other equipment.

INDUSTRY STANDARDS

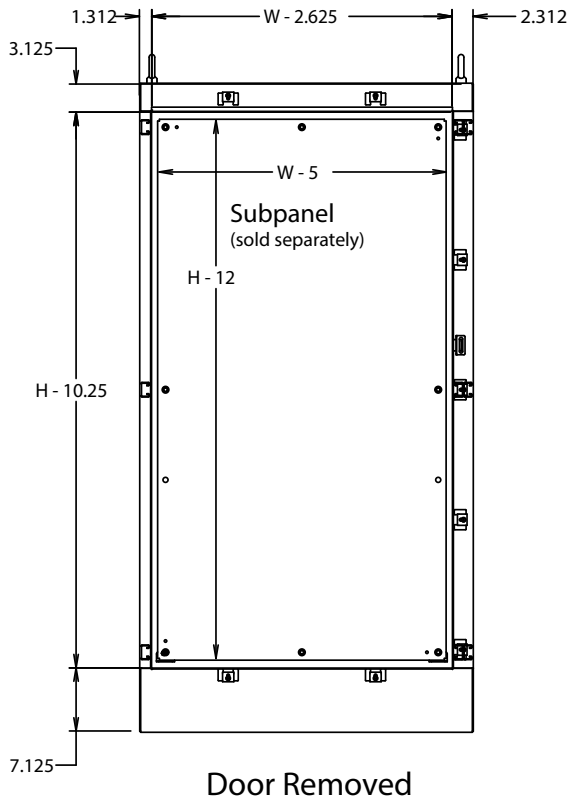
- UL 50 Listed
- CUL 50 Listed
- Type 4 & 4X

APPLICATIONS - Designed to house electrical and electronic controls, instruments and components in areas which may be hosed down. Hold-down clamps on top, bottom and open side of door for maximum dust and moisture-proof protection.

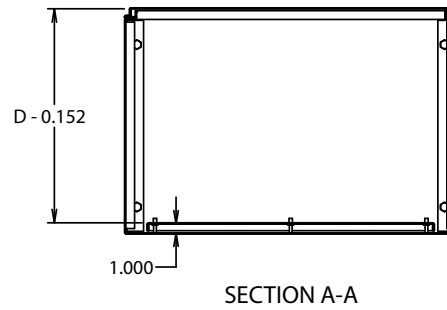
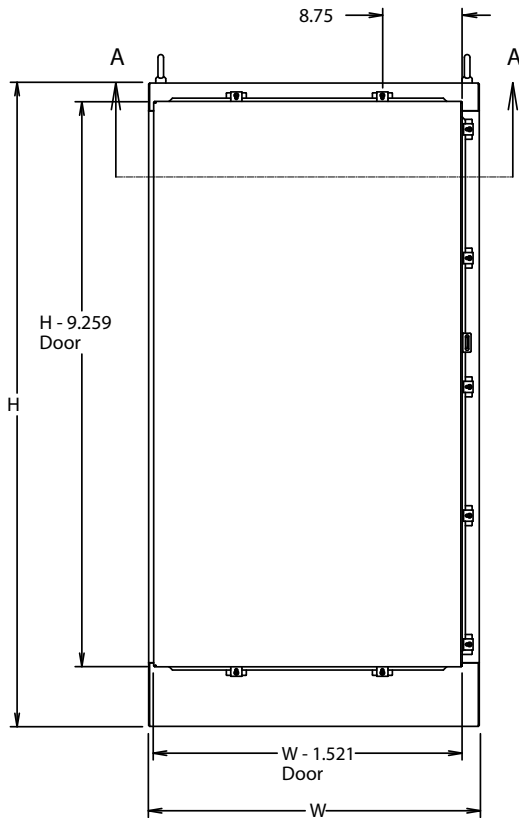
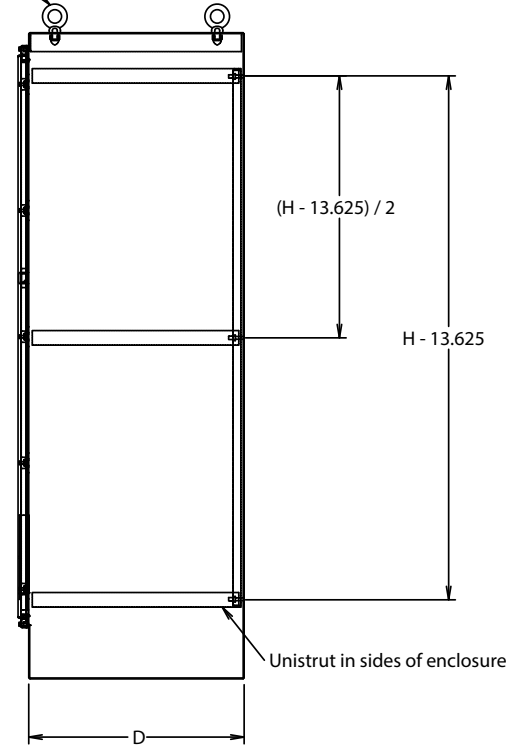
Carbon Steel #	Catalog Number		Enclosure Size		Shpg. Wt.	Sub Panel Part #	Sub Panel Size (H x L)	Half Panel Part #	Half Panel Size (H x L)	Side Mounted Panel	Side Panel Size (H x L)
	304 Stainless Steel #	316 Stainless Steel #	H x W x D (inches)								
SPN4FS-602518	SPN4FSSS-602518	SPN4FSSS6-602518	60 x 25 x 18	240	SP-60P24F1	48 x 20	SP-60P24F2	24.5 x 20	SP-60SMP14	48 x 14	
SPN4FS-722518	SPN4FSSS-722518	SPN4FSSS6-722518	72 x 25 x 18	272	SP-72P24F1	60 x 20	SP-72P24F2	30.88 x 20	SP-72SMP14	60 x 14	
SPN4FS-723118	SPN4FSSS-723118	SPN4FSSS6-723118	72 x 31 x 18	285	SP-72P30F1	60 x 26	SP-72P30F2	30.88 x 26	SP-72SMP14	60 x 14	
SPN4FS-723718	SPN4FSSS-723718	SPN4FSSS6-723718	72 x 37 x 18	338	SP-72P36F1	60 x 32	SP-72P36F2	30.88 x 32	SP-72SMP14	60 x 14	
SPN4FS-902520	SPN4FSSS-902520	SPN4FSSS6-902520	90 x 25 x 20	315	SP-90P24F1	78 x 20	SP-90P24F2	24.88 x 20	SP-90SMP16	78 x 16	
SPN4FS-903120	SPN4FSSS-903120	SPN4FSSS6-903120	90 x 31 x 20	361	SP-90P30F1	78 x 26	SP-90P30F2	24.88 x 26	SP-90SMP16	78 x 16	
SPN4FS-903720	SPN4FSSS-903720	SPN4FSSS6-903720	90 x 37 x 20	430	SP-90P36F1	78 x 32	SP-90P36F2	24.88 x 32	SP-90SMP16	78 x 16	
SPN4FS-603724	SPN4FSSS-603724	SPN4FSSS6-603724	60 x 37 x 24	325	SP-60P36F1	48 x 32	SP-60P36F2	24.5 x 32	SP-60SMP20	48 x 20	
SPN4FS-722524	SPN4FSSS-722524	SPN4FSSS6-722524	72 x 25 x 24	300	SP-72P24F1	60 x 20	SP-72P24F2	30.88 x 20	SP-72SMP20	60 x 20	
SPN4FS-723124	SPN4FSSS-723124	SPN4FSSS6-723124	72 x 31 x 24	335	SP-72P30F1	60 x 26	SP-72P30F2	30.88 x 26	SP-72SMP20	60 x 20	
SPN4FS-723724	SPN4FSSS-723724	SPN4FSSS6-723724	72 x 37 x 24	370	SP-72P36F1	60 x 32	SP-72P36F2	30.88 x 32	SP-72SMP20	60 x 20	
SPN4FS-902524	SPN4FSSS-902524	SPN4FSSS6-902524	90 x 25 x 24	346	SP-90P24F1	78 x 20	SP-90P24F2	24.88 x 20	SP-90SMP20	78 x 20	
SPN4FS-903124	SPN4FSSS-903124	SPN4FSSS6-903124	90 x 31 x 24	395	SP-90P30F1	78 x 26	SP-90P30F2	24.88 x 26	SP-90SMP20	78 x 20	
SPN4FS-903724	SPN4FSSS-903724	SPN4FSSS6-903724	90 x 37 x 24	460	SP-90P36F1	78 x 32	SP-90P36F2	24.88 x 32	SP-90SMP20	78 x 20	
SPN4FS-722530	SPN4FSSS-722530	SPN4FSSS6-722530	72 x 25 x 30	348	SP-72P24F1	60 x 20	SP-72P24F2	30.88 x 20	SP-72SMP26	60 x 26	
SPN4FS-902530	SPN4FSSS-902530	SPN4FSSS6-902530	90 x 25 x 30	395	SP-90P24F1	78 x 20	SP-90P24F2	24.88 x 20	SP-90SMP26	78 x 26	
SPN4FS-723130	SPN4FSSS-723130	SPN4FSSS6-723130	72 x 31 x 30	378	SP-72P30F1	60 x 26	SP-72P30F2	30.88 x 26	SP-72SMP26	60 x 26	
SPN4FS-903130	SPN4FSSS-903130	SPN4FSSS6-903130	90 x 31 x 30	445	SP-90P30F1	78 x 26	SP-90P30F2	24.88 x 26	SP-90SMP26	78 x 26	
SPN4FS-723730	SPN4FSSS-723730	SPN4FSSS6-723730	72 x 37 x 30	428	SP-72P36F1	60 x 32	SP-72P36F2	30.88 x 32	SP-72SMP26	60 x 26	
SPN4FS-903730	SPN4FSSS-903730	SPN4FSSS6-903730	90 x 37 x 30	515	SP-90P36F1	78 x 32	SP-90P36F2	24.88 x 32	SP-90SMP26	78 x 26	
SPN4FS-723136	SPN4FSSS-723136	SPN4FSSS6-723136	72 x 31 x 36	422	SP-72P30F1	60 x 26	SP-72P30F2	30.88 x 26	SP-72SMP32	60 x 32	
SPN4FS-723736	SPN4FSSS-723736	SPN4FSSS6-723736	72 x 37 x 36	465	SP-72P36F1	60 x 32	SP-72P36F2	30.88 x 32	SP-72SMP32	60 x 32	
SPN4FS-903736	SPN4FSSS-903736	SPN4FSSS6-903736	90 x 37 x 36	560	SP-90P36F1	78 x 32	SP-90P36F2	24.88 x 32	SP-90SMP32	78 x 32	

NOTE: Sub panels must be ordered separately. Reference page 124 & 125 for sub panel layout.

SPN4FS • SPN4FSSS • SPN4FSSS6



When D is less than 24 Enclosure will receive only 2 lifting eyes



NOTES:

1. Maximum between door clamps is 16.84" (center to center).