

Free Standing Enclosures

Type 12 Single Door & Dual Access



APPLICATIONS - Designed to provide protection for electrical terminals, controls, and instruments from dirt, dust, dripping liquids, and oil. Free standing enclosures are designed to accept unistrut mounted sub-panels, rack angles or other adjustable mount equipment.

CONSTRUCTION - Fabricated from 10 and 12 gauge carbon steel, type 304 or type 316 stainless steel with continuous welded seams. Enclosure features:

- Doors are secured with heavy-duty continuous hinges with removable hinge pins and key locking handle with three point latching system
- Adhesive backed, oil resistant gasket applied to the doors
- Unistrut channel
- Print pocket
- Heavy-duty lifting eyes
- Ground studs inside cabinet and door
- Collar studs provided for mounting optional sub panel in back.

ACCESSORIES (Ordered Separately)

- Sub-panels include full size, half-size, side mount, and swing-out panels can be mounted and adjusted for depth on the horizontal unistrut channel
- Clamping nuts for installing other equipment.

FINISH - Standard RAL 7035 texture polyester powder coat finish on interior and exterior of enclosures. Recoatable, smooth, white or ANSI-61 gray available at no charge. Standard RAL and custom match finishes available for an additional charge, please contact Schaefer's Electrical Enclosures, Inc. for further assistance. All powder coat finishes applied over cleaned phosphatized surfaces. Carbon steel sub panels have a white polyester powder coat finish. Stainless Steel enclosures have a polished #4 finish.

OPTIONS - Schaefer's Electrical Enclosures, Inc. can modify standard enclosures or custom design enclosures according to your specifications. Holes, cutouts, sizes, materials, and many more options are available. Quotations upon request.

INDUSTRY STANDARDS

- UL 50 Listed
- CUL 50 Listed
- Type 12

Catalog Number			Enclosure Size H x W x D (inches)	Shpg. Wt.	Sub Panel Part # (Full Panel)	Sub Panel Size H x W (inches)	Sub Panel Part # (1/2 Panel)	Sub Panel Size H x W (inches)	Side Mounted Panel Part #	Side Panel H x W (inches)	Lift. Eyes
Carbon Steel #	304 Stainless Steel #	316 Stainless Steel #									
Single Door											
SPFS-602418	SPFSSS-602418	SPFSSS6-602418	60 x 24 x 18	240	SP-60P24F1	48 x 20	SP-60P24F2	24.88 x 20	SP-60SMP14	48 x 14	2
SPFS-722418	SPFSSS-722418	SPFSSS6-722418	72 x 24 x 18	272	SP-72P24F1	60 x 20	SP-72P24F2	30.88 x 20	SP-72SMP14	60 x 14	2
SPFS-723018	SPFSSS-723018	SPFSSS6-723018	72 x 30 x 18	285	SP-72P30F1	60 x 26	SP72P30F2	30.88 x 26	SP-72SMP14	60 x 14	2
SPFS-723618	SPFSSS-723618	SPFSSS6-723618	72 x 36 x 18	338	SP-72P36F1	60 x 32	SP-72P36F2	30.88 x 32	SP-72SMP14	60 x 14	2
SPFS-902420	SPFSSS-902420	SPFSSS6-902420	90 x 24 x 20	315	SP-90P24F1	78 x 20	SP-90P24F2	39.88 x 20	SP-90SMP16	78 x 16	2
SPFS-903620	SPFSSS-903620	SPFSSS6-903620	90 x 36 x 20	430	SP-90P36F1	78 x 32	SP-90P36F2	39.88 x 32	SP-90SMP16	78 x 16	2
SPFS-603624	SPFSSS-603624	SPFSSS6-603624	60 x 36 x 24	325	SP-60P36F1	48 x 32	SP-60P36F2	24.88 x 32	SP-60SMP20	48 x 20	4
SPFS-722424	SPFSSS-722424	SPFSSS6-722424	72 x 24 x 24	300	SP-72P24F1	60 x 20	SP-72P24F2	30.88 x 20	SP-72SMP20	60 x 20	4
SPFS-723024	SPFSSS-723024	SPFSSS6-723024	72 x 30 x 24	335	SP-72P30F1	60 x 26	SP-72P30F2	30.88 x 26	SP-72SMP20	60 x 20	4
SPFS-723624	SPFSSS-723624	SPFSSS6-723624	72 x 36 x 24	370	SP-72P36F1	60 x 32	SP-72P36F2	30.88 x 32	SP-72SMP20	60 x 20	4
SPFS-903624	SPFSSS-903624	SPFSSS6-903624	90 x 36 x 24	460	SP-90P36F1	78 x 32	SP-90P36F2	39.88 x 32	SP-90SMP20	78 x 20	4
SPFS-722430	SPFSSS-722430	SPFSSS6-722430	72 x 24 x 30	348	SP-72P24F1	60 x 20	SP-72P24F2	30.88 x 20	SP-72SMP20	60 x 20	4
SPFS-723630	SPFSSS-723630	SPFSSS6-723630	72 x 36 x 30	428	SP-72P36F1	60 x 32	SP-72P36F2	30.88 x 32	SP-72SMP26	60 x 26	4
SPFS-723636	SPFSSS-723636	SPFSSS6-723636	72 x 36 x 36	465	SP-72P36F1	60 x 32	SP72P36F2	30.88 x 32	SP-72SMP32	60 x 32	4
SPFS-903636	SPFSSS-903636	SPFSSS6-903636	90 x 36 x 36	560	SP-90P36F1	78 x 32	SP-90P36F2	39.88 x 32	SP-90SMP32	78 x 32	4

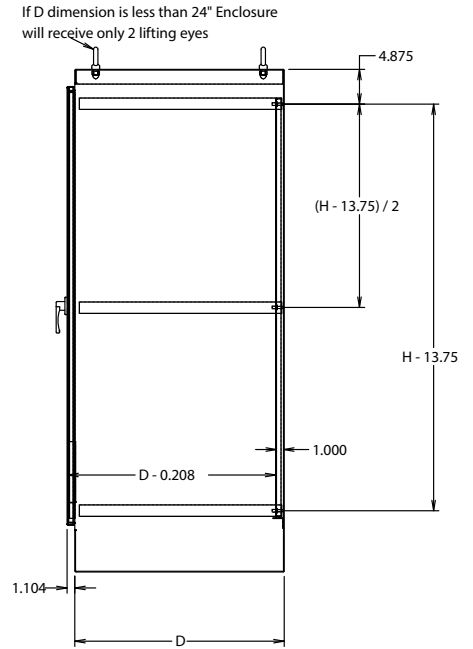
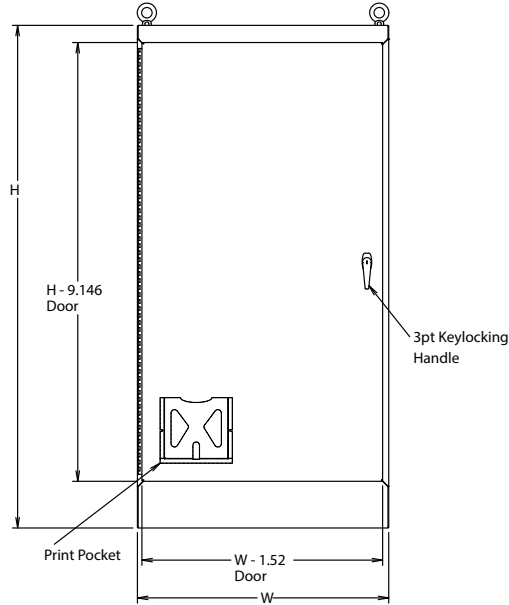
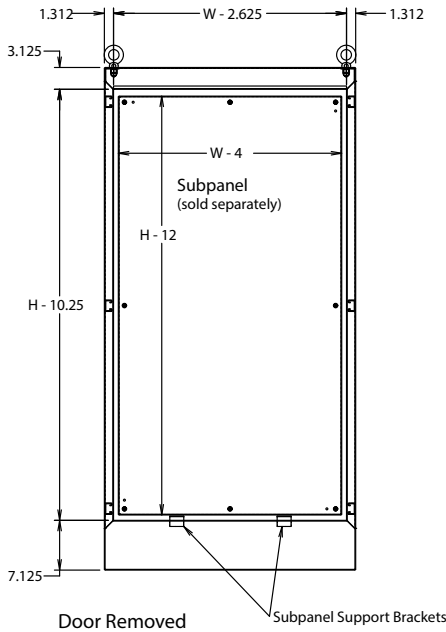
NOTE: Full, half, and side sub panels must be ordered separately. Reference page 124 & 125 for sub panel layout



Catalog Number			Enclosure Size H x W x D (inches)	Shpg. Wt.	Sub Panel Part # (Full Panel)	Sub Panel Size H x W (inches)	Lifting Eyes
Carbon Steel #	304 Stainless Steel #	316 Stainless Steel #					
Single Door - Dual Access							
SPFSDA-722424	SPFSDASS-722424	SPFSDASS6-722424	72 x 24 x 24	335	SP-72P24F1	60 x 20	4
SPFSDA-723024	SPFSDASS-723024	SPFSDASS6-723024	72 x 30 x 24	385	SP-72P30F1	60 x 26	4
SPFSDA-723624	SPFSDASS-723624	SPFSDASS6-723624	72 x 36 x 24	424	SP-72P36F1	60 x 32	4
SPFSDA-903624	SPFSDASS-903624	SPFSDASS6-903624	90 x 36 x 24	536	SP-90P36F1	78 x 32	4
SPFSDA-722430	SPFSDASS-722430	SPFSDASS6-722430	72 x 24 x 30	385	SP-72P24F1	60 x 20	4
SPFSDA-722436	SPFSDASS-722436	SPFSDASS6-722436	72 x 24 x 36	425	SP-72P24F1	60 x 20	4
SPFSDA-723636	SPFSDASS-723636	SPFSDASS6-723636	72 x 36 x 36	495	SP-72P36F1	60 x 32	4
SPFSDA-903636	SPFSDASS-903636	SPFSDASS6-903636	90 x 36 x 36	555	SP-90P36F1	78 x 32	4

NOTE: Full, half, and side sub panels must be ordered separately. Reference page 124 & 125 for sub panel layout

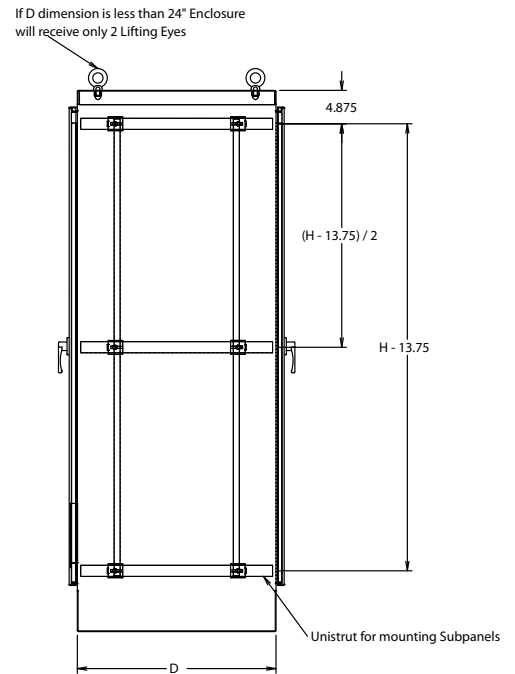
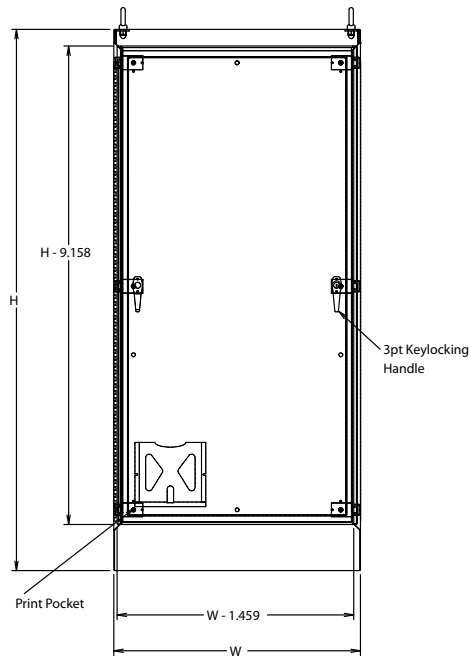
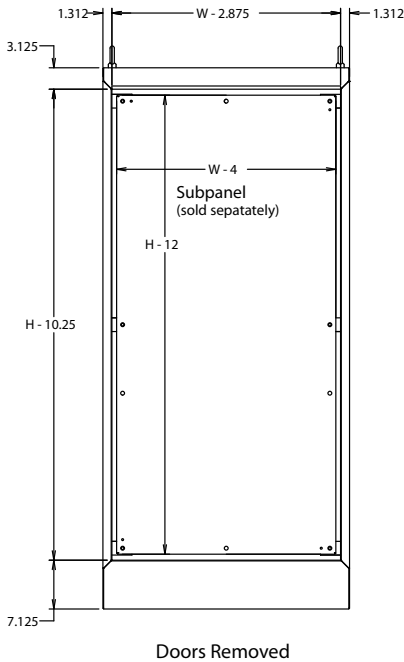
SPFS Single Door



NOTES:

1. 9" x 9" Print pocket shipped inside enclosure.

SPFSDA Single Door Dual Access



NOTES:

1. 9" x 9" Print pocket shipped inside enclosure.