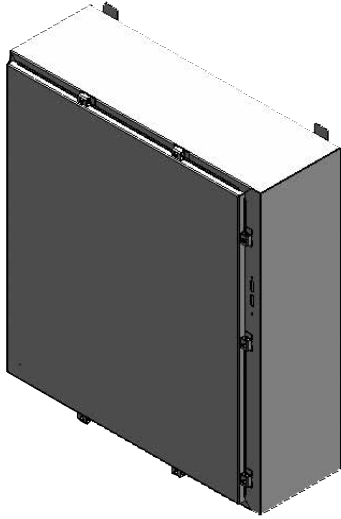


Disconnect Enclosures

Type 4 Single Door Wall Mounted Disconnect Enclosure



APPLICATIONS – For use in the same locations as Schaefer’s standard NEMA 4 enclosures. For Disconnect order information see page 82.

CONSTRUCTION – Fabricated from 14 gauge carbon steel, type 304 or type 316 stainless steel. Enclosure features:

- Door is secured with heavy duty continuous hinge with removable hinge pin.
- Stainless steel clamps and screws on remaining three sides.
- Adhesive backed oil resistant gasket applied to doors.
- Print Pocket
- External mounting feet for wall or machinery mounting.
- Ground studs installed inside door and cabinet
- Collar studs provided for mounting optional sub panels.
- Furnished with holes in right flange for mounting of operating handle or mechanism.
- With padlock provision

FINISH – Standard RAL 7035 texture polyester powder coat finish on interior and exterior of enclosures. Recoatable, smooth, white or ANSI-61 gray available at no charge. Standard RAL and custom match finishes available for an additional charge, please contact Schaefer’s Electrical Enclosures, Inc. for further assistance. All powder coat finishes applied over cleaned phosphatized surfaces. Carbon steel sub panels have a white polyester powder coat finish. Stainless Steel enclosures have a polished #4 finish.

OPTIONS - Schaefer’s Electrical Enclosures, Inc. can modify standard enclosures or custom design enclosures according to your specifications. Holes, cutouts, sizes, materials, and many more options are available. Quotations upon request.

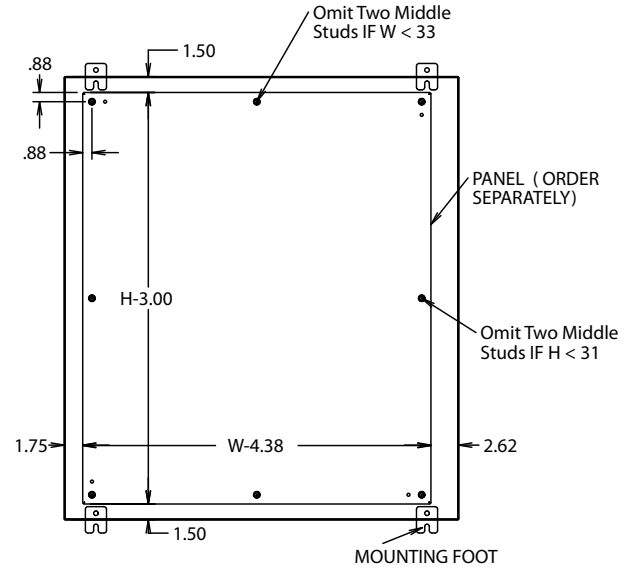
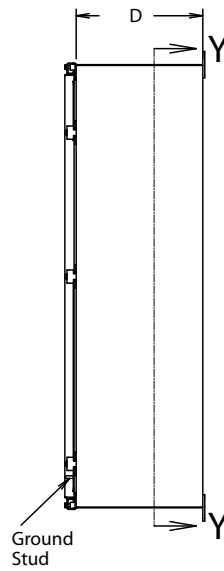
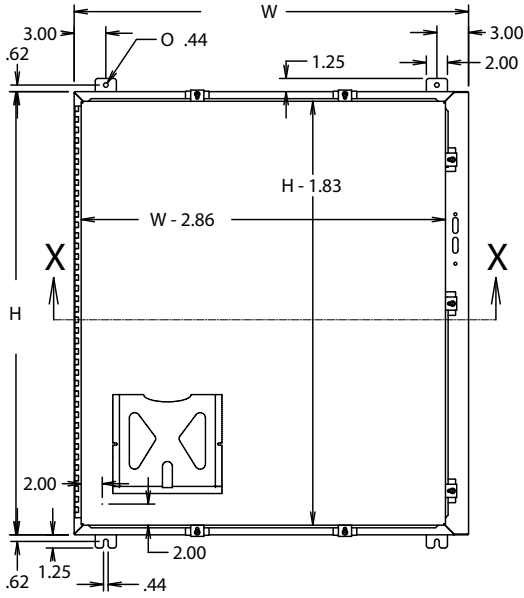
INDUSTRY STANDARD

- UL 50 Listed
- CUL 50 Listed
- Type 4, 4X

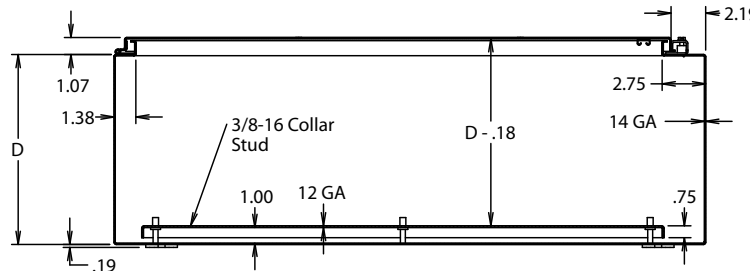
Carbon Steel #	Catalog Number		Enclosure Size H x W x D (inches)	Shpg. Wt.	Sub Panel Part Number	Sub Panel Size
	304 Stainless Steel #	316 Stainless Steel #				
SPSN4-24228	SPSN4SS-24228	SPSN4SS6-24228	24 x 21.37 x 8	51	SPP-2420	21 x 17
SPSN4-24268	SPSN4SS-24268	SPSN4SS6-24268	24 x 25.37 x 8	55	SPP-2424	21 x 21
SPSN4-30268	SPSN4SS-30268	SPSN4SS6-30268	30 x 25.37 x 8	67	SPP-3024	27 x 21
SPSN4-36328	SPSN4SS-36328	SPSN4SS6-36328	36 x 31.37 x 8	94	SPP-3630	33 x 27
SPSN4-423212	SPSN4SS-423212	SPSN4SS6-423212	42 x 31.37 x 12	128	SPP-4230	39 x 27
SPSN4-423812	SPSN4SS-423812	SPSN4SS6-423812	42 x 37.37 x 12	141	SPP-4236	39 x 33
SPSN4-483812	SPSN4SS-483812	SPSN4SS6-483812	48 x 37.37 x 12	157	SPP-4836	45 x 33
SPSN4-603812	SPSN4SS-603812	SPSN4SS6-603812	60 x 37.37 x 12	188	SPP-6036	57 x 33

NOTE: Sub panels must be ordered separately. Reference page 122 for sub panel layout

SPSN4 • SPSN4SS • SPSN4SS6



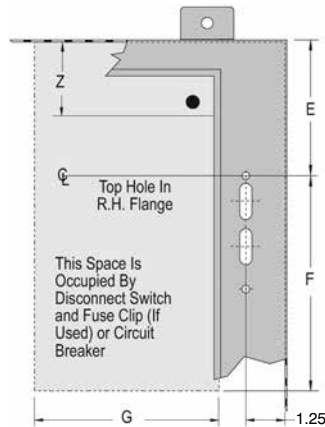
SECTION Y-Y



SECTION X-X

NOTES:

1. Print pocket = 6" x 6" when H and W are 24" or less.
Print pocket = 9" x 9" when H and W are greater than 24".
2. Panels will have formed flanges when either Height or Width is greater than 18".
3. Maximum spacing between door clamps is 16.84" (center to center).



Space Occupied by Disconnects

E = 8.62 when D = 8.00
E = 11.62 when D = 12.00
Z = Wire Bend Spacing

See charts on pages 98-104 for "F", "G", and "Z" dimensions which cover space occupied by disconnect and wire bend spacing. Disconnects occupy the space indicated by "E", "F", and "G".