

APPLICATIONS - Designed to accommodate Allen-Bradley 1494F and 1494D flange mount disconnect switches and circuit breakers and protect them from dust, dripping liquids, dirt and oil.

CONSTRUCTION - Fabricated from 14 gauge carbon steel, type 304 or type 316 stainless steel with continuously welded seams. Enclosure features:

- Door is secured with heavy-duty continuous hinge with removable hinge pin.
- Provided with black zinc anodized padlocking handle with defeater mechanism and two or three point latching system.
- Adhesive backed, oil resistant gasket applied to the doors.
- Print pocket.
- External mounting feet for wall or machinery mounting.
- Ground studs installed inside cabinet and door.
- Collar studs provided for mounting optional sub panels.

FINISH - Standard RAL 7035 texture polyester powder coat finish on interior and exterior of enclosures. Recoatable, smooth, white or ANSI-61 gray available at no charge. Standard RAL and custom match finishes available for an additional charge, please contact Schaefer's Electrical Enclosures, Inc. for further assistance. All powder coat finishes applied over cleaned phosphatized surfaces. Carbon steel sub panels have a white polyester powder coat finish. Stainless Steel enclosures have a polished #4 finish.

OPTIONS - Schaefer's Electrical Enclosures, Inc. can modify standard enclosures or custom design enclosures according to your specifications. Holes, cutouts, sizes, materials, and many more options are available.

INDUSTRY STANDARDS

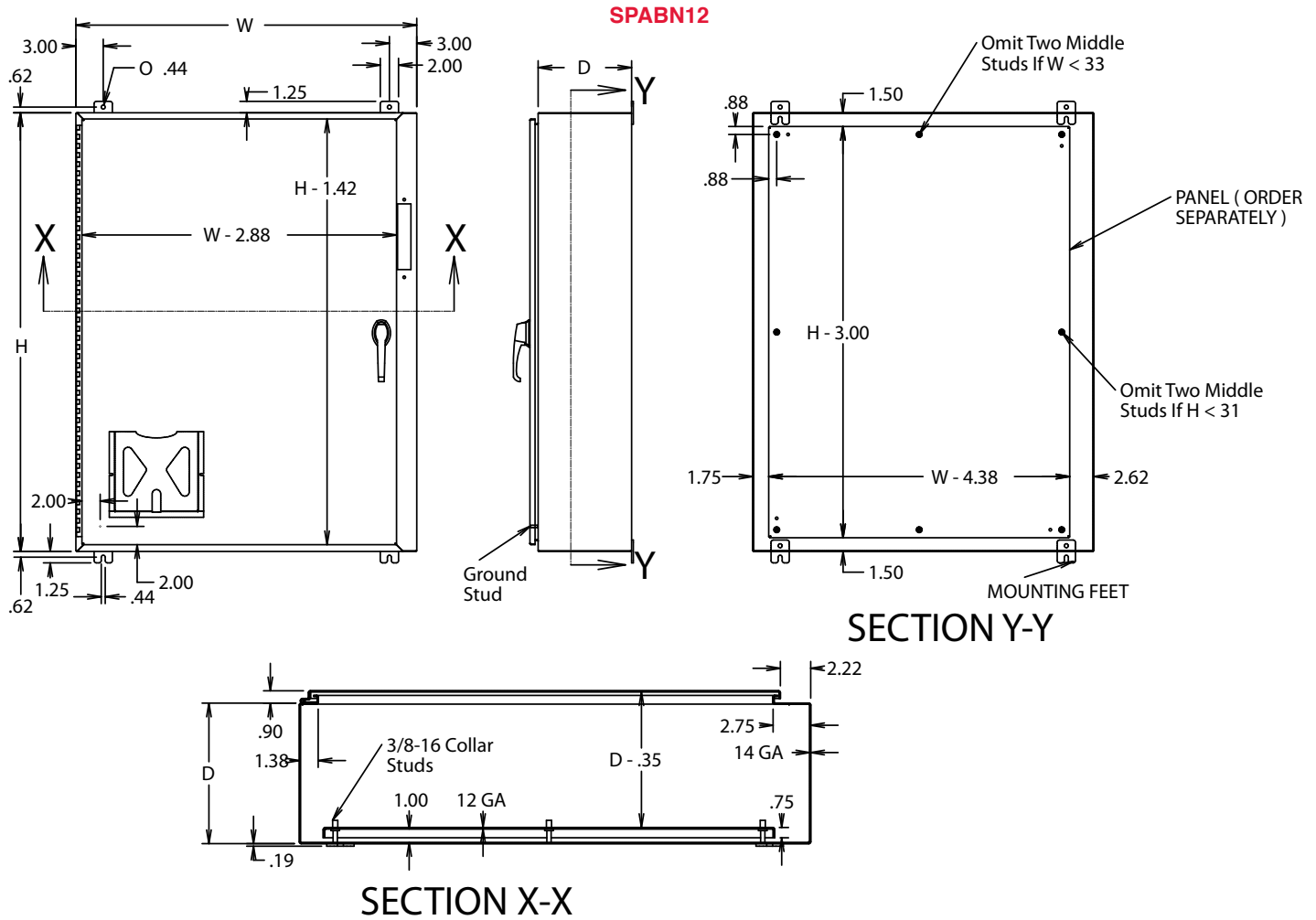
- UL 50 Listed
- CUL 50 Listed
- NEMA Type 12

Carbon Steel #	Catalog Number		Enclosure Size H x W x D (inches)	Shpg. Wt.	Sub Panel Part Number	Sub Panel Size H x W (inches)
	304 Stainless Steel #	316 Stainless Steel #				
SPABN12-20228	SPABN12SS-20228	SPABN12SS6-20228	20 x 21.38 x 8	44	SPP-2020	17 x 17
SPABN12-24228	SPABN12SS-24228	SPABN12SS6-24228	24 x 21.38 x 8	51	SPP-2420	21 x 17
SPABN12-24268	SPABN12SS-24268	SPABN12SS6-24268	24 x 25.38 x 8	58	SPP-2424	21 x 21
SPABN12-30228	SPABN12SS-30228	SPABN12SS6-30228	30 x 21.38 x 8	59	SPP-3020	27 x 17
SPABN12-30268	SPABN12SS-30268	SPABN12SS6-30268	30 x 25.38 x 8	63	SPP-3024	27 x 21
SPABN12-36268	SPABN12SS-36268	SPABN12SS6-36268	36 x 25.38 x 8	77	SPP-3624	33 x 21
SPABN12-36328	SPABN12SS-36328	SPABN12SS6-36328	36 x 31.38 x 8	94	SPP-3630	33 x 27
SPABN12-42328	SPABN12SS-42328	SPABN12SS6-42328	42 x 31.38 x 8	109	SPP-4230	39 x 27
SPABN12-42388	SPABN12SS-42388	SPABN12SS6-42388	42 x 37.38 x 8	128	SPP-4236	39 x 33
SPABN12-48388	SPABN12SS-48388	SPABN12SS6-48388	48 x 37.38 x 8	137	SPP-4836	45 x 33
SPABN12-60388	SPABN12SS-60388	SPABN12SS6-60388	60 x 37.38 x 8	153	SPP-6036	57 x 33
SPABN12-202210	SPABN12SS-202210	SPABN12SS6-202210	20 x 21.38 x 10	45	SPP-2020	17 x 17
SPABN12-242210	SPABN12SS-242210	SPABN12SS6-242210	24 x 21.38 x 10	55	SPP-2420	21 x 17
SPABN12-242610	SPABN12SS-242610	SPABN12SS6-242610	24 x 25.38 x 10	60	SPP-2424	21 x 21
SPABN12-302210	SPABN12SS-302210	SPABN12SS6-302210	30 x 21.38 x 10	59	SPP-3020	27 x 17
SPABN12-302610	SPABN12SS-302610	SPABN12SS6-302610	30 x 25.38 x 10	71	SPP-3024	27 x 21
SPABN12-362610	SPABN12SS-362610	SPABN12SS6-362610	36 x 25.38 x 10	82	SPP-3624	33 x 21
SPABN12-363210	SPABN12SS-363210	SPABN12SS6-363210	36 x 31.38 x 10	105	SPP-3630	33 x 27
SPABN12-423210	SPABN12SS-423210	SPABN12SS6-423210	42 x 31.38 x 10	119	SPP-4230	39 x 27
SPABN12-423810	SPABN12SS-423810	SPABN12SS6-423810	42 x 37.38 x 10	139	SPP-4236	39 x 33
SPABN12-483810	SPABN12SS-483810	SPABN12SS6-483810	48 x 37.38 x 10	148	SPP-4836	45 x 33
SPABN12-603810	SPABN12SS-603810	SPABN12SS6-603810	60 x 37.38 x 10	178	SPP-6036	57 x 33
SPABN12-302612	SPABN12SS-302612	SPABN12SS6-302612	30 x 25.38 x 12	76	SPP-3024	27 x 21
SPABN12-363212	SPABN12SS-363212	SPABN12SS6-363212	36 x 31.38 x 12	103	SPP-3630	33 x 27
SPABN12-423212	SPABN12SS-423212	SPABN12SS6-423212	42 x 31.38 x 12	123	SPP-4230	39 x 27
SPABN12-423812	SPABN12SS-423812	SPABN12SS6-423812	42 x 37.37 x 12	138	SPP-4236	39 x 33
SPABN12-483812	SPABN12SS-483812	SPABN12SS6-483812	48 x 37.38 x 12	153	SPP-4836	45 x 33
SPABN12-603812	SPABN12SS-603812	SPABN12SS6-603812	60 x 37.38 x 12	183	SPP-6036	57 x 33
SPABN12-363216	SPABN12SS-363216	SPABN12SS6-363216	36 x 31.38 x 16	117	SPP-3630	33 x 27
SPABN12-483816	SPABN12SS-483816	SPABN12SS6-483816	48 x 37.38 x 16	175	SPP-4836	45 x 33
SPABN12-603816	SPABN12SS-603816	SPABN12SS6-603816	60 x 37.38 x 16	200	SPP-6036	57 x 33
SPABN12-483812A**	SPABN12SS-483812A**	SPABN12SS6-483812A**	48 x 37.38 x 12	175	SPP-4836	45 x 33
SPABN12-603812A**	SPABN12SS-603812A**	SPABN12SS6-603812A**	60 x 37.38 x 12	200	SPP-6036	57 x 33

NOTE: Reference page 122 for sub panel layout.
 ** Suitable for 200 amp disconnect switches and 1494F-L only.

Disconnect Enclosures - Wall Mount

Type 12 Allen Bradley 1494F & D Single Door Disconnect



NOTES:

1. Print pocket = 6" x 6" when H and W are 24" or less.
Print pocket = 9" x 9" when H and W are greater than 24".
2. Panels will have formed flanges when either Height or Width is greater than or equal to 18".
3. When H=40" or greater the handle is centered in the height and includes a three point latch system. When H is less than 40" the handle is at the bottom and includes a two point latch system.

Disconnect Ordering Information

When using a 1494F disconnect switch, order:

1. A disconnect switch (30A, 60A, or 100A)
2. A fuse block adapter, if required
3. Line and load connectors, if required

Exception: SPSDN12-603812A enclosure requires one set (1494F-L4) 3-point latching hardware
SPSDN12-603812A enclosure will only accept 200A (1494F) disconnect switch. This switch will not fit in any other size.

When using a Bulletin 1494D circuit breaker operating mechanism, order:

1. A circuit breaker (C-H/Westinghouse)
2. A circuit breaker operating mechanism
3. A slide mechanism

Space Occupied By Disconnects

- E = 3.84 when D = 8.00
- E = 6.75 when D = 10.00
- E = 9.50 when D = 12.00
- Except for 200A switches
- E = 9.50 when D = 16.00
- E = 10.50 when D = 12.00

For enclosures with 200A switches
Z = Wire Bend Spacing

See charts on pages 98-104 for "F", "G", and "Z" dimensions which cover space occupied by disconnect and wire bend spacing. Disconnects occupy the space indicated by "E", "F", and "G".

