

Disconnect Enclosures - Wall Mount

Type 12 Single Door Disconnect With Handles



APPLICATIONS - Designed to accommodate Allen-Bradley, Cutler-Hammer, General Electric, Square D, Westinghouse, and Siemens/ITE flange mount disconnect switches and circuit breakers and protect them from dust, dripping liquids, dirt and oil. For Disconnect order information see page 82.

CONSTRUCTION - Fabricated from 14 gauge carbon steel, type 304 or type 316 stainless steel. Enclosure features:

- Door is secured with heavy-duty continuous hinge with removable hinge pin
- Provided with black anodized padlocking handle with defeater mechanism and two or three point latching system.
- Adhesive backed, oil resistant gasket applied to the doors
- Print pocket
- External mounting feet for wall or machinery mounting
- Ground studs installed inside cabinet and door
- Collar studs provided for mounting optional sub panels.

FINISH - Standard RAL 7035 texture polyester powder coat finish on interior and exterior of enclosures. Recoatable, smooth, white or ANSI-61 gray available at no charge. Standard RAL and custom match finishes available for an additional charge, please contact Schaefer's Electrical Enclosures, Inc. for further assistance. All powder coat finishes applied over cleaned phosphatized surfaces. Carbon steel sub panels have a white polyester powder coat finish. Stainless Steel enclosures have a polished #4 finish.

OPTIONS - Schaefer's Electrical Enclosures, Inc. can modify standard enclosures or custom design enclosures according to your specifications. Holes, cutouts, sizes, materials, and many more options are available.

INDUSTRY STANDARDS

- UL 50 Listed
- CUL 50 Listed
- Type 12

NOTE - These enclosures will not accept Allen-Bradley 1494F and 1494D circuit breaker operators. (see page 82)

Carbon Steel #	Catalog Number		Enclosure Size H x W x D (inches)	Shpg. Wt.	Sub Panel Part Number	Sub Panel Size H x W (inches)
	304 Stainless Steel #	316 Stainless Steel #				
Wall Mount Disconnects with Handles						
SPSDN12-20228-H	SPSDN12SS-20228-H	SPSDN12SS6-20228-H	20 x 21.38 x 8	44	SPP-2020	17 x 17
SPSDN12-24228-H	SPSDN12SS-24228-H	SPSDN12SS6-24228-H	24 x 21.38 x 8	51	SPP-2420	21 x 17
SPSDN12-24268-H	SPSDN12SS-24268-H	SPSDN12SS6-24268-H	24 x 25.38 x 8	58	SPP-2424	21 x 21
SPSDN12-30228-H	SPSDN12SS-30228-H	SPSDN12SS6-30228-H	30 x 21.38 x 8	59	SPP-3020	27 x 17
SPSDN12-30268-H	SPSDN12SS-30268-H	SPSDN12SS6-30268-H	30 x 25.38 x 8	63	SPP-3024	27 x 21
SPSDN12-36268-H	SPSDN12SS-36268-H	SPSDN12SS6-36268-H	36 x 25.38 x 8	77	SPP-3624	33 x 21
SPSDN12-36328-H	SPSDN12SS-36328-H	SPSDN12SS6-36328-H	36 x 31.38 x 8	94	SPP-3630	33 x 27
SPSDN12-42328-H	SPSDN12SS-42328-H	SPSDN12SS6-42328-H	42 x 31.38 x 8	109	SPP-4230	39 x 27
SPSDN12-42388-H	SPSDN12SS-42388-H	SPSDN12SS6-42388-H	42 x 37.38 x 8	128	SPP-4236	39 x 33
SPSDN12-48388-H	SPSDN12SS-48388-H	SPSDN12SS6-48388-H	48 x 37.38 x 8	137	SPP-4836	45 x 33
SPSDN12-60388-H	SPSDN12SS-60388-H	SPSDN12SS6-60388-H	60 x 37.38 x 8	153	SPP-6036	57 x 33
SPSDN12-202210-H	SPSDN12SS-202210-H	SPSDN12SS6-202210-H	20 x 21.38 x 10	45	SPP-2020	17 x 17
SPSDN12-242210-H	SPSDN12SS-242210-H	SPSDN12SS6-242210-H	24 x 21.38 x 10	55	SPP-2420	21 x 17
SPSDN12-242610-H	SPSDN12SS-242610-H	SPSDN12SS6-242610-H	24 x 25.38 x 10	60	SPP-2424	21 x 21
SPSDN12-302210-H	SPSDN12SS-302210-H	SPSDN12SS6-302210-H	30 x 21.38 x 10	59	SPP-3020	27 x 17
SPSDN12-302610-H	SPSDN12SS-302610-H	SPSDN12SS6-302610-H	30 x 25.38 x 10	71	SPP-3024	27 x 21
SPSDN12-362610-H	SPSDN12SS-362610-H	SPSDN12SS6-362610-H	36 x 25.38 x 10	82	SPP-3624	33 x 21
SPSDN12-363210-H	SPSDN12SS-363210-H	SPSDN12SS6-363210-H	36 x 31.38 x 10	105	SPP-3630	33 x 27
SPSDN12-423210-H	SPSDN12SS-423210-H	SPSDN12SS6-423210-H	42 x 31.38 x 10	119	SPP-4230	39 x 27
SPSDN12-423810-H	SPSDN12SS-423810-H	SPSDN12SS6-423810-H	42 x 37.38 x 10	139	SPP-4236	39 x 33
SPSDN12-483810-H	SPSDN12SS-483810-H	SPSDN12SS6-483810-H	48 x 37.38 x 10	148	SPP-4836	45 x 33
SPSDN12-603810-H	SPSDN12SS-603810-H	SPSDN12SS6-603810-H	60 x 37.38 x 10	178	SPP-6036	57 x 33
SPSDN12-302612-H	SPSDN12SS-302612-H	SPSDN12SS6-302612-H	30 x 25.38 x 12	76	SPP-3024	27 x 21
SPSDN12-363212-H	SPSDN12SS-363212-H	SPSDN12SS6-363212-H	36 x 31.38 x 12	103	SPP-3630	33 x 27
SPSDN12-423212-H	SPSDN12SS-423212-H	SPSDN12SS6-423212-H	42 x 31.38 x 12	123	SPP-4230	39 x 27
SPSDN12-423812-H	SPSDN12SS-423812-H	SPSDN12SS6-423812-H	42 x 37.38 x 12	138	SPP-4236	39 x 33
SPSDN12-483812-H	SPSDN12SS-483812-H	SPSDN12SS6-483812-H	48 x 37.38 x 12	153	SPP-4836	45 x 33
SPSDN12-603812A-H	SPSDN12SS-603812A-H	SPSDN12SS6-603812A-H	60 x 37.38 x 12	183	SPP-6036	57 x 33
SPSDN12-363216-H	SPSDN12SS-363216-H	SPSDN12SS6-363216-H	36 x 31.38 x 16	117	SPP-3630	33 x 27
SPSDN12-483816-H	SPSDN12SS-483816-H	SPSDN12SS6-483816-H	48 x 37.38 x 16	175	SPP-4836	45 x 33
SPSDN12-603816-H	SPSDN12SS-603816-H	SPSDN12SS6-603816-H	60 x 37.38 x 16	200	SPP-6036	57 x 33

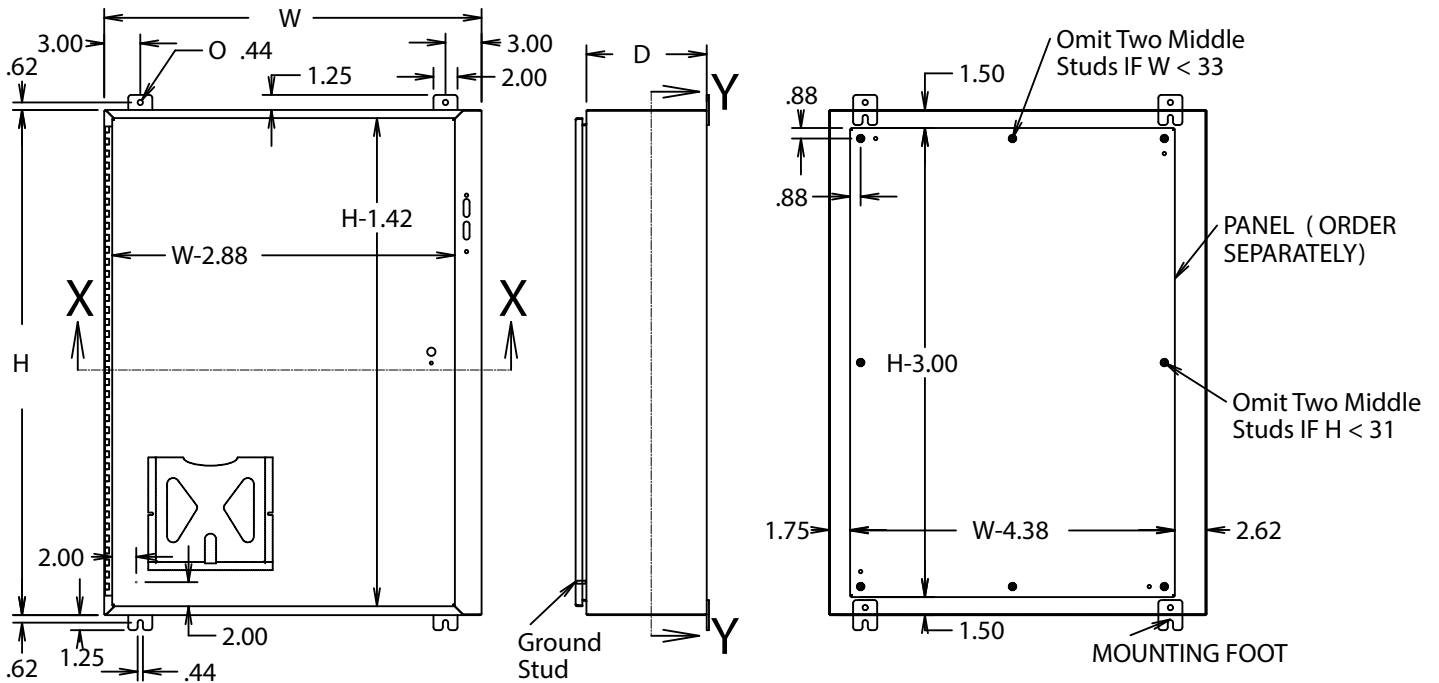
NOTE: Reference page 122 for sub panel layout.

SPSDN12-603812A-H, SPSSDN12SS-603812A-H, and SPSSDN12SS6-603812A-H Accepts ABV 1494V 400 and 600 Amp and ITE 800/1200 Amp only.

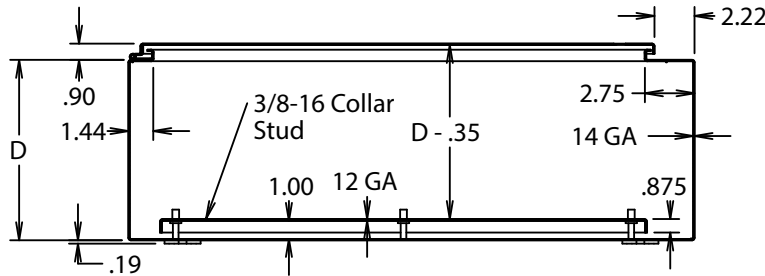
Data subject to change without notice

4680 Nash Road, Scott City, MO 63780
866-nema-box • 573-722-5591 • FAX: 573-722-5489
www.electrical-enclosures.com

SPSDN12 With Handles



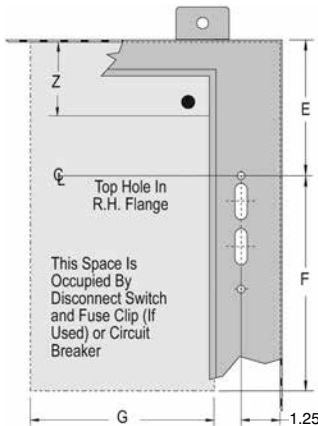
SECTION Y-Y



SECTION X-X

NOTES:

1. Print pocket = 6" x 6" when H and W are 24" or less.
Print pocket = 9" x 9" when H and W are greater than 24".
2. Panels will have formed flanges when either Height or Width is greater than 18".
3. When H=40" or greater the handle is centered in the height and includes a three point latch system. When H is less than 40" the handle is at the bottom and includes a two point latch system.



Space Occupied By Disconnects

- E = 4.75 when D = 8.00
- E = 7.09 when D = 10.00
- E = 11.62 when D = 12.00
- E = 11.62 when D = 16.00
- E = 18.38 for SPSDN12-603812A-H
- Z = Wire Bend Spacing

See charts on pages 98-104 for "F", "G", and "Z" dimensions which cover space occupied by disconnect and wire bend spacing. Disconnects occupy the space indicated by "E", "F", and "G".