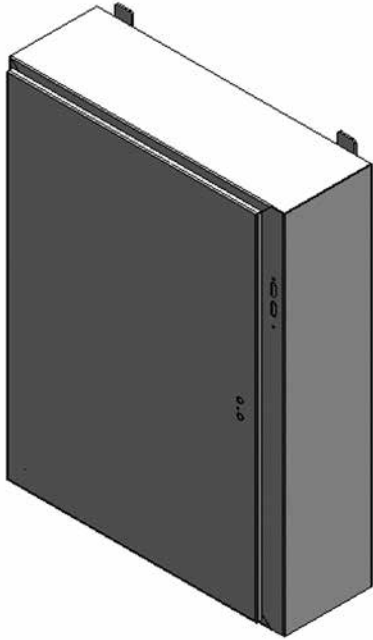


Disconnect Enclosures - Wall Mount

Type 12 Single Door Disconnect Without Handles



APPLICATIONS - Designed to accommodate Allen-Bradley, Cutler-Hammer, General Electric, Square D, Westinghouse, and Siemens/ITE flange mount disconnect switches and circuit breakers and protect them from dust, dripping liquids, dirt and oil. For Disconnect order information see page 82.

CONSTRUCTION - Fabricated from 14 gauge carbon steel, type 304 or type 316 stainless steel. Enclosure features:

- Door is secured with heavy-duty continuous hinge with removable hinge pin
- Punching available for manufacturers door hardware.
- Adhesive backed, oil resistant gasket applied to the doors
- Print pocket
- External mounting feet for wall or machinery mounting
- Ground studs installed inside cabinet and door
- Collar studs provided for mounting optional sub panels.

FINISH - Standard RAL 7035 texture polyester powder coat finish on interior and exterior of enclosures. Recoatable, smooth, white or ANSI-61 gray available at no charge. Standard RAL and custom match finishes available for an additional charge, please contact Schaefer's Electrical Enclosures, Inc. for further assistance. All powder coat finishes applied over cleaned phosphatized surfaces. Carbon steel sub panels have a white polyester powder coat finish. Stainless Steel enclosures have a polished #4 finish.

OPTIONS - Schaefer's Electrical Enclosures, Inc. can modify standard enclosures or custom design enclosures according to your specifications. Holes, cutouts, sizes, materials, and many more options are available.

INDUSTRY STANDARDS

- UL 50 Listed
- CUL 50 Listed
- Type 12

NOTE - These enclosures will not accept Allen-Bradley 1494F and 1494D circuit breaker operators. (see page 82)

Carbon Steel #	Catalog Number		Enclosure Size H x W x D (inches)	Shpg. Wt.	Sub Panel Part Number	Sub Panel Size H x W (inches)
	304 Stainless Steel #	316 Stainless Steel #				
Wall Mount Disconnects with Handles						
SPSDN12-20228	SPSDN12SS-20228	SPSDN12SS6-20228	20 x 21.38 x 8	44	SPP-2020	17 x 17
SPSDN12-24228	SPSDN12SS-24228	SPSDN12SS6-24228	24 x 21.38 x 8	51	SPP-2420	21 x 17
SPSDN12-24268	SPSDN12SS-24268	SPSDN12SS6-24268	24 x 25.38 x 8	58	SPP-2424	21 x 21
SPSDN12-30228	SPSDN12SS-30228	SPSDN12SS6-30228	30 x 21.38 x 8	59	SPP-3020	27 x 17
SPSDN12-30268	SPSDN12SS-30268	SPSDN12SS6-30268	30 x 25.38 x 8	63	SPP-3024	27 x 21
SPSDN12-36268	SPSDN12SS-36268	SPSDN12SS6-36268	36 x 25.38 x 8	77	SPP-3624	33 x 21
SPSDN12-36328	SPSDN12SS-36328	SPSDN12SS6-36328	36 x 31.38 x 8	94	SPP-3630	33 x 27
SPSDN12-42328	SPSDN12SS-42328	SPSDN12SS6-42328	42 x 31.38 x 8	109	SPP-4230	39 x 27
SPSDN12-42388	SPSDN12SS-42388	SPSDN12SS6-42388	42 x 37.38 x 8	128	SPP-4236	39 x 33
SPSDN12-48388	SPSDN12SS-48388	SPSDN12SS6-48388	48 x 37.38 x 8	137	SPP-4836	45 x 33
SPSDN12-60388	SPSDN12SS-60388	SPSDN12SS6-60388	60 x 37.38 x 8	153	SPP-6036	57 x 33
SPSDN12-202210	SPSDN12SS-202210	SPSDN12SS6-202210	20 x 21.38 x 10	45	SPP-2020	17 x 17
SPSDN12-242210	SPSDN12SS-242210	SPSDN12SS6-242210	24 x 21.38 x 10	55	SPP-2420	21 x 17
SPSDN12-242610	SPSDN12SS-242610	SPSDN12SS6-242610	24 x 25.38 x 10	60	SPP-2424	21 x 21
SPSDN12-302210	SPSDN12SS-302210	SPSDN12SS6-302210	30 x 21.38 x 10	59	SPP-3020	27 x 17
SPSDN12-302610	SPSDN12SS-302610	SPSDN12SS6-302610	30 x 25.38 x 10	71	SPP-3024	27 x 21
SPSDN12-362610	SPSDN12SS-362610	SPSDN12SS6-362610	36 x 25.38 x 10	82	SPP-3624	33 x 21
SPSDN12-363210	SPSDN12SS-363210	SPSDN12SS6-363210	36 x 31.38 x 10	105	SPP-3630	33 x 27
SPSDN12-423210	SPSDN12SS-423210	SPSDN12SS6-423210	42 x 31.38 x 10	119	SPP-4230	39 x 27
SPSDN12-423810	SPSDN12SS-423810	SPSDN12SS6-423810	42 x 37.38 x 10	139	SPP-4236	39 x 33
SPSDN12-483810	SPSDN12SS-483810	SPSDN12SS6-483810	48 x 37.38 x 10	148	SPP-4836	45 x 33
SPSDN12-603810	SPSDN12SS-603810	SPSDN12SS6-603810	60 x 37.38 x 10	178	SPP-6036	57 x 33
SPSDN12-302612	SPSDN12SS-302612	SPSDN12SS6-302612	30 x 25.38 x 12	76	SPP-3024	27 x 21
SPSDN12-363212	SPSDN12SS-363212	SPSDN12SS6-363212	36 x 31.38 x 12	103	SPP-3630	33 x 27
SPSDN12-423212	SPSDN12SS-423212	SPSDN12SS6-423212	42 x 31.38 x 12	123	SPP-4230	39 x 27
SPSDN12-423812	SPSDN12SS-423812	SPSDN12SS6-423812	42 x 37.38 x 12	138	SPP-4236	39 x 33
SPSDN12-483812	SPSDN12SS-483812	SPSDN12SS6-483812	48 x 37.38 x 12	153	SPP-4836	45 x 33
SPSDN12-603812A	SPSDN12SS-603812A	SPSDN12SS6-603812A	60 x 37.38 x 12	183	SPP-6036	57 x 33
SPSDN12-363216	SPSDN12SS-363216	SPSDN12SS6-363216	36 x 31.38 x 16	117	SPP-3630	33 x 27
SPSDN12-483816	SPSDN12SS-483816	SPSDN12SS6-483816	48 x 37.38 x 16	175	SPP-4836	45 x 33
SPSDN12-603816	SPSDN12SS-603816	SPSDN12SS6-603816	60 x 37.38 x 16	200	SPP-6036	57 x 33

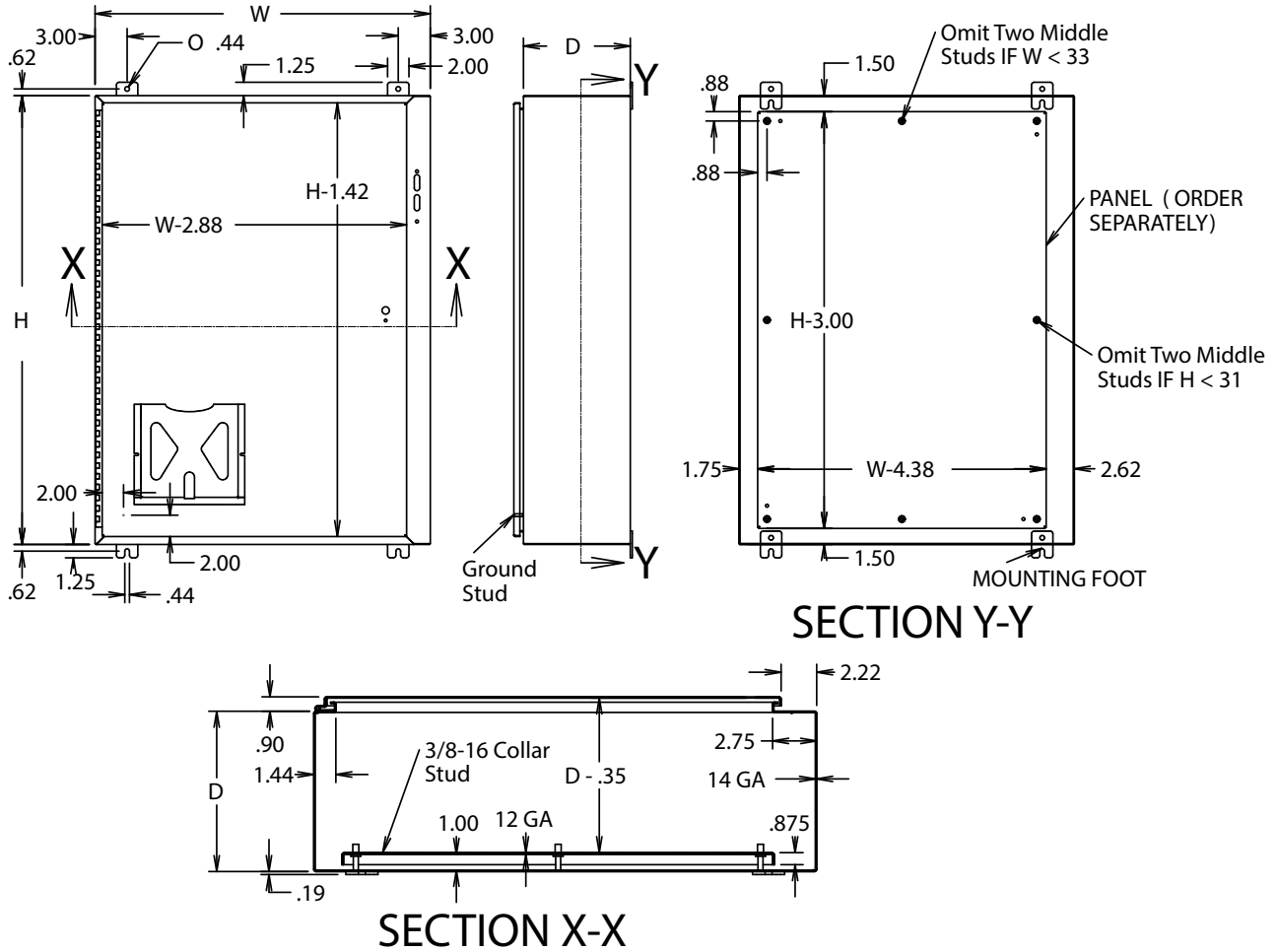
NOTE: Reference page 122 for sub panel layout.

SPSDN12-603812A, SPSDN12SS-603812A, and SPSDN12SS6-603812A Accepts ABV 1494V 400 and 600 Amp and ITE 800/1200 Amp only.

Data subject to change without notice

4680 Nash Road, Scott City, MO 63780
866-nema-box • 573-722-5591 • FAX: 573-722-5489
www.electrical-enclosures.com

SPSDN12 - Without Handles



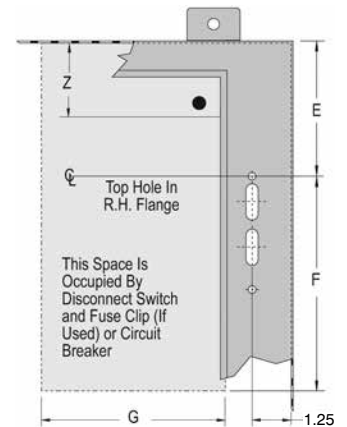
NOTES:

1. Print pocket = 6" x 6" when H and W are 24" or less.
Print pocket = 9" x 9" when H and W are greater than 24".
2. Panels will have formed flanges when either Height or Width is greater than or equal to 18".
3. When H=40" or greater the handle is centered in the height and includes a three point latch system. When H is less than 40" the handle is at the bottom and includes a two point latch system.

Space Occupied By Disconnects

- E = 4.75 when D = 8.00
- E = 7.09 when D = 10.25
- E = 11.62 when D = 12.00
- E = 11.62 when D = 16.00
- E = 18.38 for SPSPDN12-603812A
- Z = Wire Bend Spacing

See charts on pages 98-104 for "F", "G", and "Z" dimensions which cover space occupied by disconnect and wire bend spacing. Disconnects occupy the space indicated by "E", "F", and "G".



Disconnect Enclosures - Wall Mount

Type 12 Single Door Disconnect

Disconnect Ordering Information

When ordering flange-mounted disconnects from the various manufacturers, be sure to order the necessary items. Each company has a different system, read through the following list of items required and refer to the charts on pages 98-104.

Use a Type 4 disconnect operating handle on the enclosure flange to provide corrosion resistance and maintain the enclosure rating.

Items with an (*) preceding them are available from disconnect manufacturer as complete kits.

Allen-Bradley

When using a 1494V disconnect switch, order:

- *1. A disconnect switch with flange mounted operator. (Bulletin 1494V)
- *2. An operating handle (Bulletin 1494V-H1) Note: use (Bulletin 1494V-H2) operating handle when ordering 12WMRH-060-037-012-SDAV enclosure.
- *3. A connecting rod - Use (Bulletin 1494V-RA1) when D = 8.00 [203] or 10.25 [260] - Use (Bulletin 1494V-RA2) when D = 12.00 [305] or 16.00 [406] - Use (Bulletin 1494V-RB2) for 400A or 600A switch on 12WMRH-060-037-012-SDAV enclosure.
- *4. A trailer fuse block kit, if required (Bulletin 1494V)
- *5. A fuse clip kit, if required
6. Line and load connectors, if required

When using a Bulletin 1494V circuit breaker operating mechanism, order:

1. A circuit breaker (C-H/Westinghouse)
2. A circuit breaker operating mechanism (Bulletin 1494V)
3. An operating handle (Bulletin 1494V-H11)
4. A connecting rod - Use (Bulletin 1494V-RA1) when D = 8.00 [203] or 10.25 [260] - Use (Bulletin 1494V-RA2) when D = 12.00 [305] or 16.00 [406]

ABB Controls

When using a disconnect switch, order:

1. A flange-operated switch (fusible or non-fusible)
2. A shaft - Use (DSFHN-12) when D = 8.00 [203], 10.25 [260] or 12.00 [305] - when D = 16.00 [406] use (DSFHS-17)
3. A handle (DSFGN-HS12)

When using a circuit breaker, order:

1. A circuit breaker (ABB)
- *2. An operating mechanism
- *3. A shaft - Use (FHS-12) when D = 8.00 [203], 10.25 [260] or 12.00 [305] - when D = 16.00 [406] use (FHS-17)
- *4. A handle mechanism (FHN-HS12)

Cutler-Hammer/Westinghouse

When using a Type C361 disconnect switch, order:

- *1. A disconnect switch with an operating mechanism
- *2. An operating handle (C361H1 or C361H3)

When using a Type C371 circuit breaker operating mechanism with a C-H/Westinghouse circuit breaker, order:

1. A circuit breaker
- *2. An operating mechanism
- *3. An operating handle (C361H1 or C361H3)

When using a C-H/Westinghouse circuit breaker with a Type 4/4X Flex Shaft™ handle mechanism, order:

1. A circuit breaker
2. A complete Flex Shaft™ handle mechanism

General Electric

When using a disconnect switch, order:

1. A disconnect switch (Type QMR or QMW)
2. A fuse clip kit or no-fuse kit
3. A flange handle (STDA1 or STDA2)
4. A variable depth operating mechanism

When using a circuit breaker, order:

1. A circuit breaker
2. A flange handle (STDA1 or STDA2)
3. A variable depth operating mechanism

When using a circuit breaker with a Spectra Flex™ cable operator, order:

1. A circuit breaker
2. A flange-mounted handle mechanism
3. A breaker-mounted mechanism
4. An operating cable

I-T-E Siemens

When using a disconnect switch, order:

1. A basic switch (right hand)
2. A fuse or non-fuse kit
3. A flange-mounted handle (FHOHS)
4. Switch operator
5. Cable 36.00 inch

When using a circuit breaker, order:

1. A circuit breaker
2. Pressure wire connectors
3. A flange-mounted handle (FHOH) Note: use (FHOHN) for 12WMRH-060-037-012-SDAV enclosure
4. A circuit breaker operator mechanism
5. An operating cable - standard 36.00 inch for 125A to 600A circuit breakers - 48.00 inch for 800A to 1200A circuit breakers

Square D

When using a Class 9422 disconnect switch, order:

- *1. A disconnect switch with operating mechanism (Class 9422)
- *2. A handle mechanism (Class 9422 Type A-1)

When using a circuit breaker, order:

1. A circuit breaker (Square D)
2. An operating mechanism (Class 9422)
3. A handle mechanism (Class 9422 Type A-1)

When using a Class 9422 Type "T" disconnect switch with a cable mechanism, order:

1. A disconnect switch with operating mechanism (Class 9422, Type T)
2. A handle mechanism (Class 9422 Type A-1)
3. A cable mechanism (Class 9422 CFT_O) 3, 5, or 10 foot

When using a circuit breaker with a cable mechanism, order:

1. A circuit breaker (Square D)
2. A handle mechanism (Class 9422 Type A-1)
3. A cable mechanism (Class 9422 CFT_O) 3, 5, or 10 foot