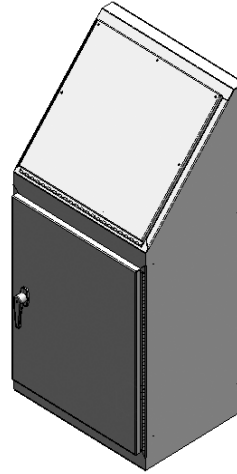




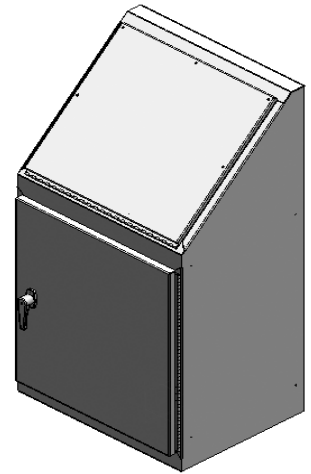
SP1 Single Door



SP1 Double Door



SP9 Single Door



APPLICATIONS - Designed to house electrical controls, instruments, and components. Pushbuttons, pilot lights, meters, switches, etc. can be mounted on the sloping control panel or on the instrument panel.

CONSTRUCTION - Fabricated from 14 gauge carbon steel with continuously welded seams. Enclosures feature:

- Doors and exterior panels have oil resistant gaskets and are secured by Three point latches with key locking handles.
- The 24" and 36" consoles have a single door on the front. The door surfaces are flush with the front to the body.

- Each console has a large sloping control panel hinged along the bottom edge and secured with captivated panel screws thread into sealed wells for a good secure fit.
- Stops are provided to hold the control panel open.
- Collar studs provided for mounting optional sub panels.

FINISH - Standard RAL 7035 texture polyester powder coat finish on interior and exterior of enclosures. Recoatable, smooth, white or ANSI-61 gray available at no charge. Standard RAL and custom match finishes available for an additional charge, please contact Schaefer's Electrical Enclosures, Inc. for further assistance. All powder coat finishes applied over

cleaned phosphatized surfaces. Carbon steel sub panels have a white polyester powder coat finish.

OPTIONS - Schaefer's Electrical Enclosures, Inc. can modify standard enclosures or custom design enclosures according to your specifications. Holes, cutouts, sizes, materials, and many more options are available. Quotations upon request.

INDUSTRY STANDARDS

- UL 50 Listed
- CUL 50 Listed
- Type 12

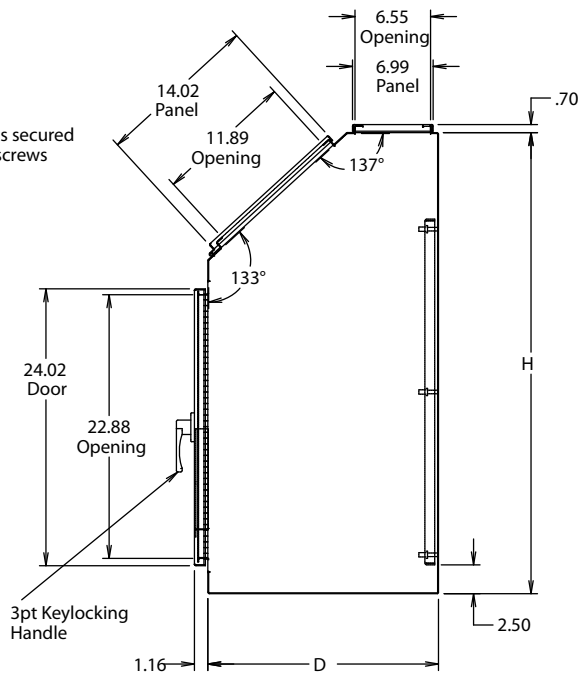
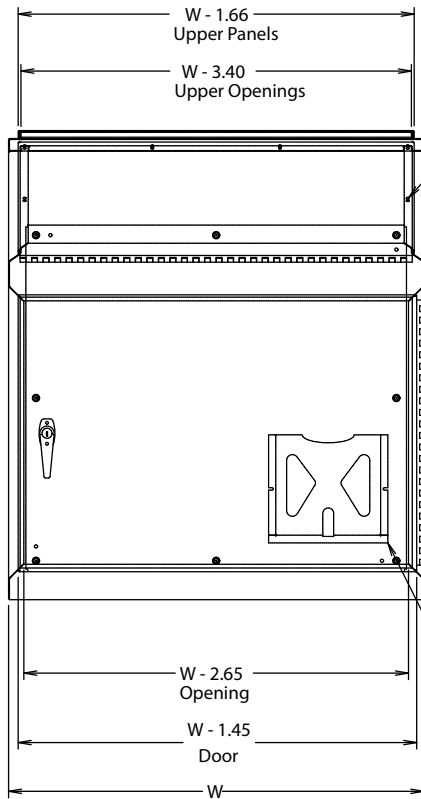
Catalog Number	Description	Enclosure Size H x W x D (inches)	Shpg. Wt.
SP1-C18	CONSOLE BODY	40 x 18 x 20	100
SPP-30X15	INTERIOR SUBPANEL	30 x 15	12
SP1-C24	CONSOLE BODY	40 x 24 x 20	115
SPP-30X21	INTERIOR SUBPANEL	30 x 21	17
SP1-C30	CONSOLE BODY	40 x 30 x 20	140
SPP-30X27	INTERIOR SUBPANEL	30 x 27	21
SP1-C36	CONSOLE BODY	40 x 36 x 20	165
SPP-30X33	INTERIOR SUBPANEL	30 x 33	26
SP1-C42*	CONSOLE BODY	40 x 42 x 20	210
SPP-30X39	INTERIOR SUBPANEL	30 x 39	31
SP1-C48*	CONSOLE BODY	40 x 48 x 20	235
SPP-30X45	INTERIOR SUBPANEL	30 x 45	36

NOTE: Reference page 122 for sub panel layout.
*Double Door Enclosures.

Catalog Number	Description	Enclosure Size H x W x D (inches)	Shpg. Wt.
SP-924B	Console Body	48 x 24 x 18	150
SPP-3020	Interior Subpanel	27 x 17	16
SP-936B	Console Body	48 x 36 x 18	186
SPP-3030	Interior Subpanel	27 x 27	24
SPP-3020	Interior Side Subpanel	27 x 17	16

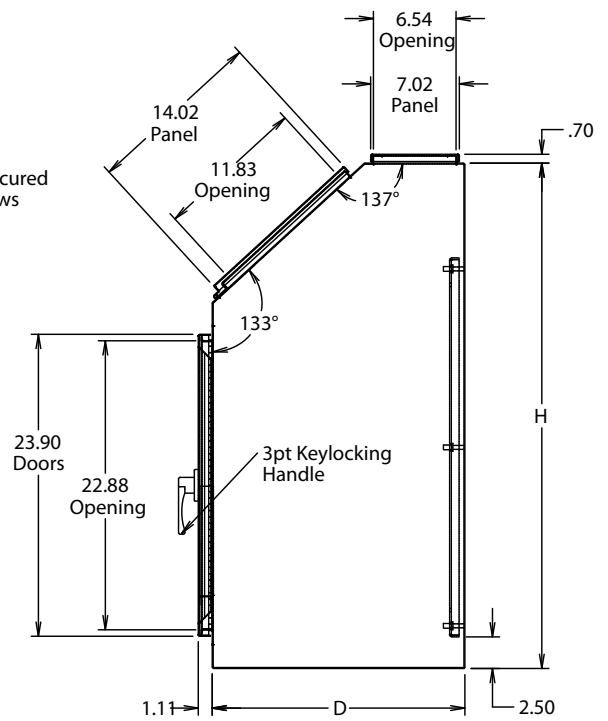
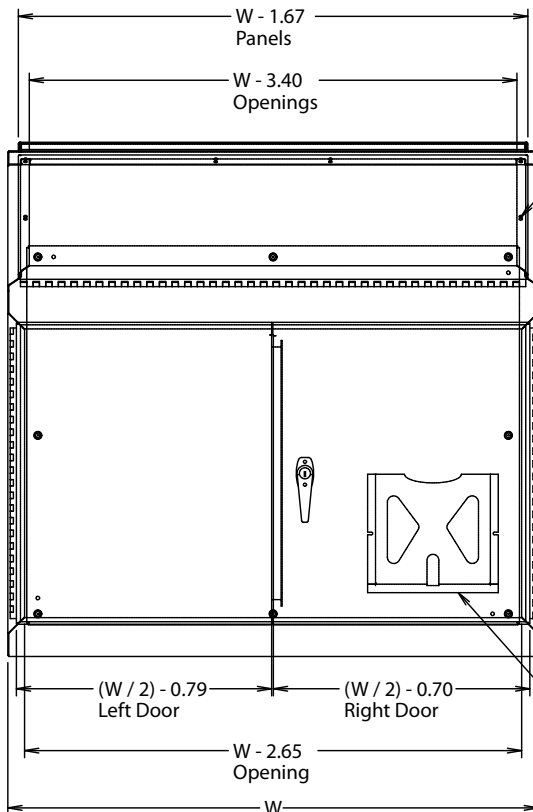
NOTE: Reference page 122 for sub panel layout.

SP1 Single Door



NOTE:
9" x 9" Print pockets shipped inside enclosure.

SP-1 Double Door

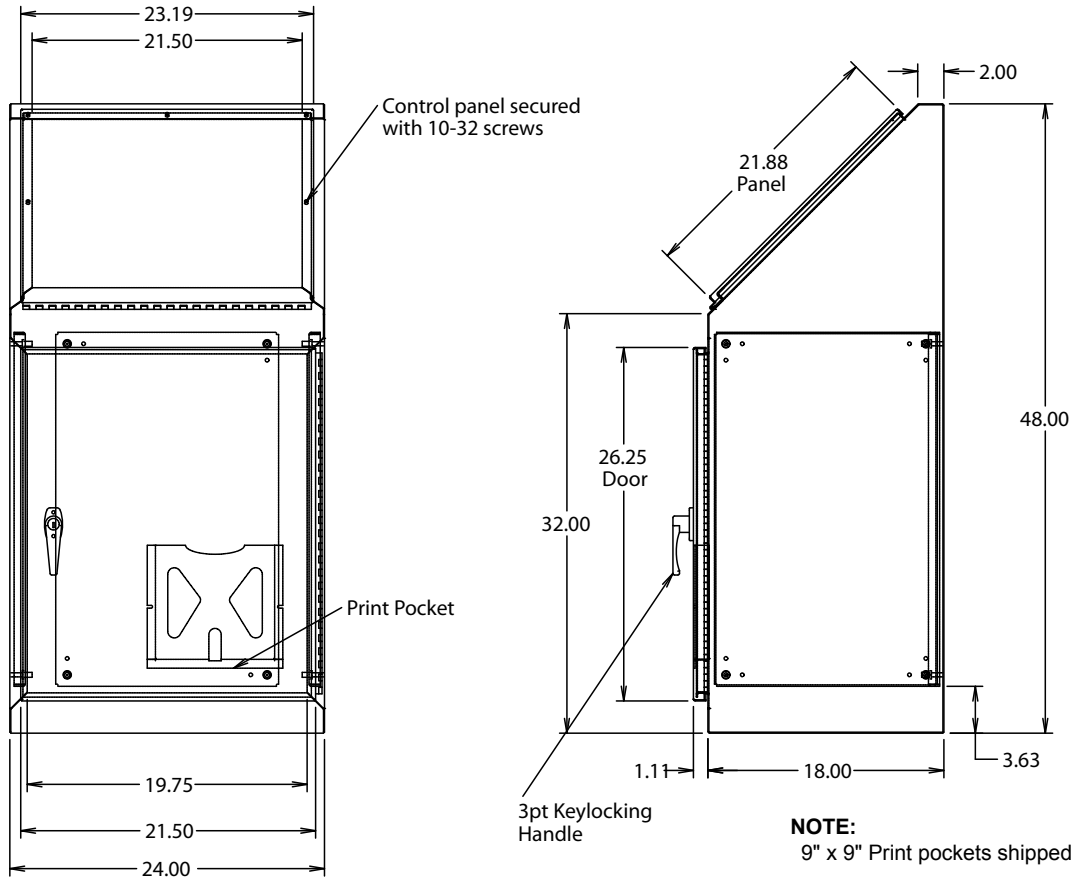


NOTE:
9" x 9" Print pockets shipped inside enclosure.

Consoles

Series 1 and Series 9 Consoles

SP-924B



SP-936B

