

APPLICATIONS - Designed to house electrical controls, instruments, and components. Pushbuttons, pilot lights, meters, switches, etc. can be mounted on the sloping control panel or on the instrument panel.

CONSTRUCTION - Fabricated from 14 gauge carbon steel with continuously welded seams. Enclosures feature:

- Doors and exterior panels have oil resistant gaskets and are secured by Three point latches with key locking handles.
- The 24" and 36" consoles have a single door on the front. The 48" console has overlapping double doors on the front.
- The door surfaces are flush with the front to the body.
- Each console has a large sloping control panel hinged along the bottom edge and secured with captivated panel screws threaded into sealed wells for a good secure fit.
- Stops are provided to hold the control panel open.
- Collar studs provided for mounting optional sub panels.

FINISH - Standard RAL 7035 texture polyester powder coat finish on interior and exterior of enclosures. Recoatable, smooth, white or ANSI-61 gray available at no charge. Standard RAL and custom match finishes available for an additional charge, please contact Schaefer's Electrical Enclosures, Inc. for further assistance. All powder coat finishes applied over cleaned phosphatized surfaces. Carbon steel sub panels have a white polyester powder coat finish.

OPTIONS - Schaefer's Electrical Enclosures, Inc. can modify standard enclosures or custom design enclosures according to your specifications. Holes, cutouts, sizes, materials, and many more options are available. Quotations upon request.

CONSOLE TOPS - 16" high x 12¹/₂" deep and extend the full width of the console. The 24" and 36" tops have a gasketed instrument panel on the front and gasketed

access panel on the back. The 48" has one instrument panel on the front and two access panels on the rear. The 60" has two gasketed instrument panels on the front and one gasketed access panel on the back. The 72" has two gasketed instrument panels in front and two gasketed access panels in the back. The tops are fabricated from 14 gauge carbon steel with continuously welded seams. Tops are easily attachable to console bodies. (Order separately)

CONSOLE WRITING DESK - Fabricated from 14 gauge carbon steel and easily attached to console. Mounting hardware is included. (Order separately)

STATIONARY SUB-PANELS - Half panel and full panel 12 gauge carbon steel stationary sub-panels are easy to remove and are adjustable from front to back. Order separately.

RACK MOUNTING ANGLES - For mounting 19" rack mounted equipment in the 24" Console.

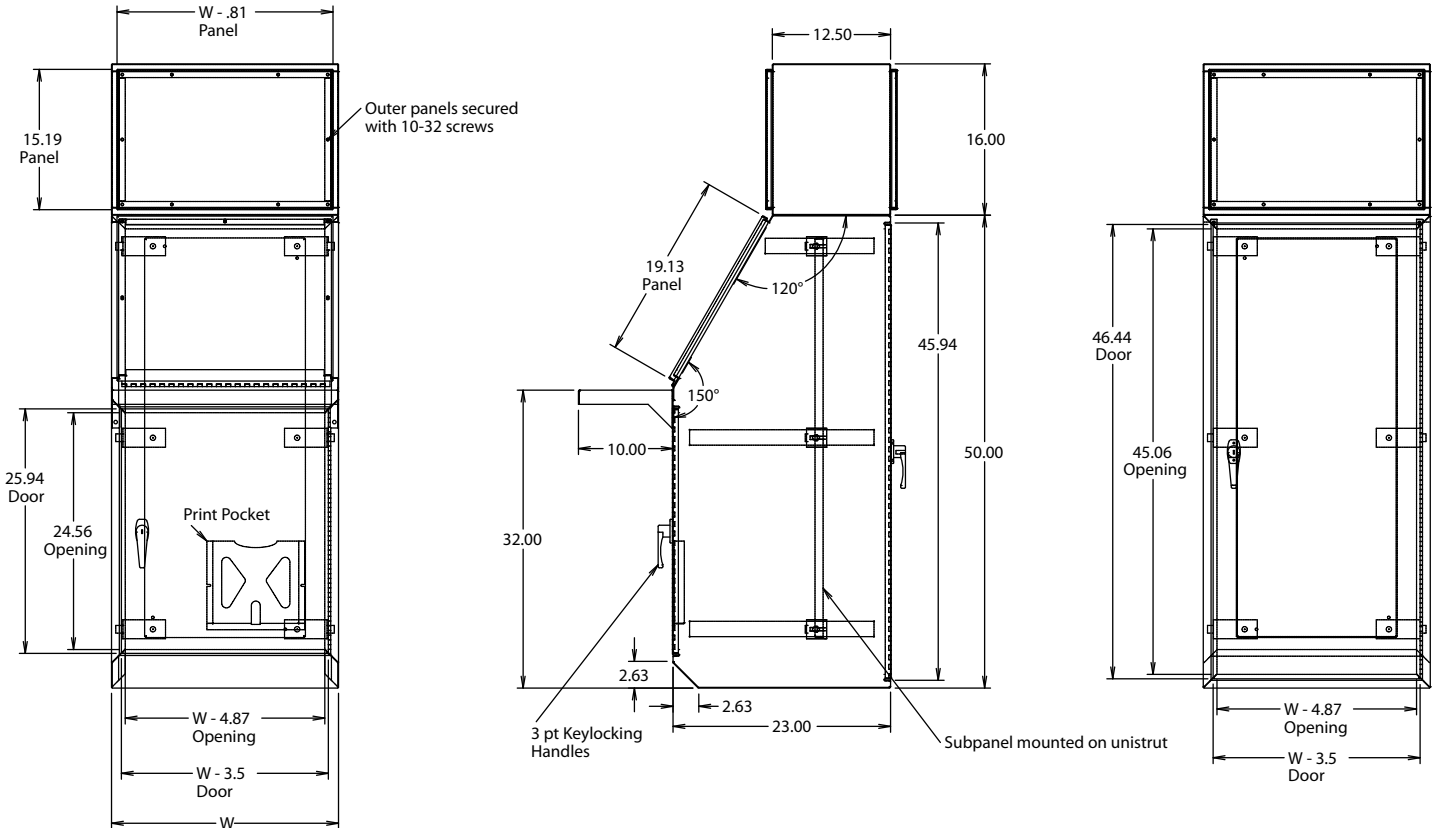
INDUSTRY STANDARDS

- UL 50 Listed
- CUL 50 Listed
- Type 12

Catalog Number	Description	Enclosure Size H x W x D (inches)	Shpg. Wt.
SP-14B	Console Body Only	50 x 24 x 23	181
SP-14T	Top Only	16 x 24 x 12.5	45
SP-14W	Writing Desk	-- x 24 x 10	10
SP-14P2	Half Panel	22 x 17	26
SP-14P3	Full Panel	42.25 x 17	24
SP-1436B	Console Body Only	50 x 36 x 23	235
SP-1436T	Top Only	16 x 36 x 12.5	62
SP-1436W	Writing Desk	-- x 36 x 10	12
SP-1436P2	Half Panel	22 x 29	34
SP-1436P3	Full Panel	42.25 x 29	44
SP-1448BD	Console Body Only	50 x 48 x 23	290
SP-1448T	Top Only	16 x 48 x 12.5	79
SP-1448W	Writing Desk	-- x 48 x 10	14
SP-1448P2	Half Panel	22 x 41	43
SP-1448P3	Full Panel	42.25 x 41	57
SP-1460BD	Console Body Only	50 x 60 x 23	311
SP-1460T	Top Only	16 x 60 x 12.5	96
SP-1460W	Writing Desk	-- x 60 x 10	20
SP-1460P2	Half Panel	22 x 53	42
SP-1460P3	Full Panel	42.25 x 53	77
SP-1472BD	Console Body Only	50 x 72 x 23	382
SP-1472T	Top Only	16 x 72 x 12.5	112
SP-1472W	Writing Desk	-- x 72 x 10	25
SP-1472P2	Half Panel	22 x 65	50
SP-1472P3	Full Panel	42.25 x 65	102

NOTE: Reference page 122 for sub panel layout.

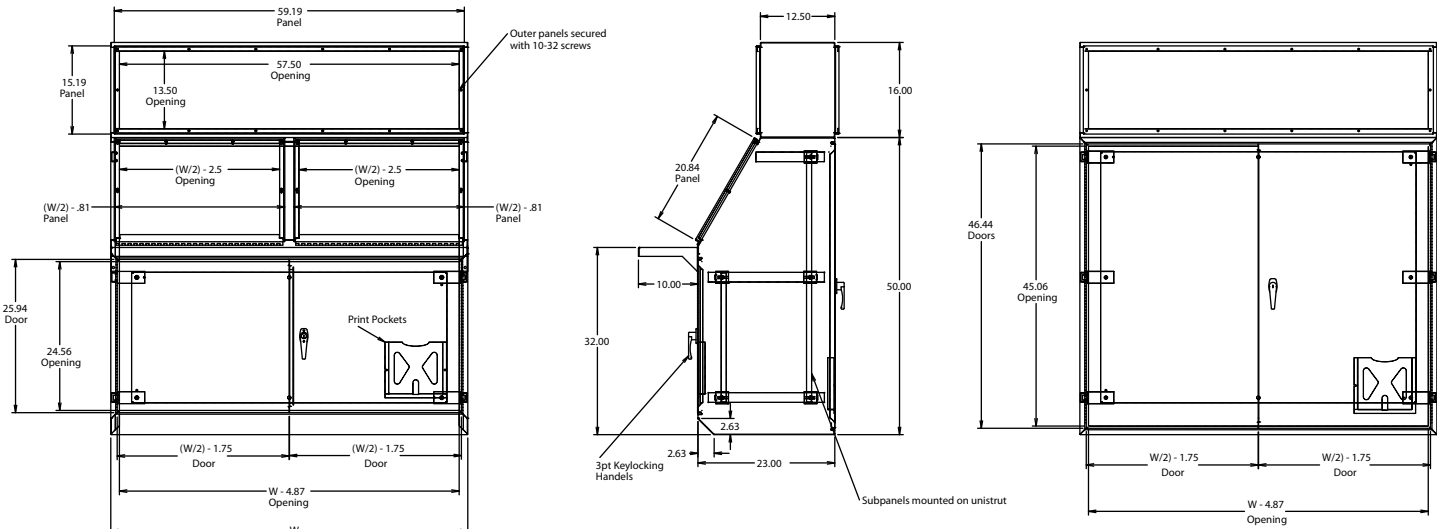
SP-14B Single Door



NOTE:

9" x 9" Print Pocket shipped inside enclosure.

SP-14B Double Door



NOTE:

9" x 9" Print Pocket shipped inside enclosure.