

**APPLICATIONS** - Designed to house electrical controls, instruments, and components. Pushbutton, pilot lights, meters, switches, etc., can be mounted on the sloping control panel or on the instrument panel.

**CONSTRUCTION** - Fabricated from 14 gauge carbon steel with continuously welded seams. Enclosure features:

- Doors and exterior panels have oil resistant gaskets and are secured by three point latches
- Door surfaces are flush with the front to the body
- Door is secured with removable hinge pin and quarter turn latches - *Standard quarter turn latches can be replaced with a variety of optional latches*
- Each console has a large sloping control panel hinged along the top and secured along the bottom edge with slotted 1/4 turn latches
- Stops are provided to hold the control panel open
- Collar studs provided for mounting optional sub panels.

**FINISH** - Standard RAL 7035 texture polyester powder coat finish on interior and exterior of enclosures. Recoatable, smooth, white or ANSI-61 gray available at no charge. Standard RAL and custom match finishes available for an additional charge, please contact Schaefer's Electrical Enclosures, Inc. for further assistance. All powder coat finishes applied over cleaned phosphatized surfaces. Carbon steel sub panels have a white polyester powder coat finish.

**OPTIONS** - Schaefer's Electrical Enclosures, Inc. can modify standard enclosures or custom design enclosures according to your specifications. Holes, cutouts, sizes, materials, and many more options are available. Quotations upon request.

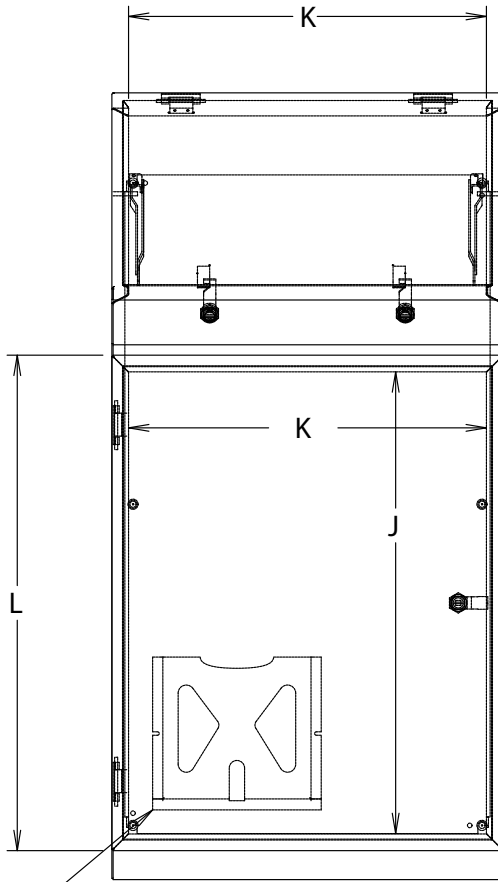
Catalog Number	Description	Enclosure Size H x W x D	Shpg. Wt.	J	K	L	M	N	P
ES-FC382416	CONSOLE BODY	38 x 24 x 15	85	22.94	21.88	25.06	30.17	17.60	20.00
ES-P3624	INTERIOR SUBPANEL	34.2 x 22.2	24	-	-	-	-	-	-
ES-FC383616	CONSOLE BODY	38 x 36 x 15	114	22.94	33.88	25.06	30.19	17.60	20.00
ES-P3636	INTERIOR SUBPANEL	34.2 x 34.2	35	-	-	-	-	-	-
ES-FC482423	CONSOLE BODY	48 x 24 x 18	125	27.16	21.88	29.25	33.88	24.06	26.47
ES-P4224	INTERIOR SUBPANEL	40.2 x 22.2	29	-	-	-	-	-	-
ES-FC483623	CONSOLE BODY	48 x 36 x 18	163	27.16	33.88	29.25	33.88	24.06	26.47
ES-P4236	INTERIOR SUBPANEL	40.2 x 34.2	43	-	-	-	-	-	-
DOUBLE DOOR									
ES-FCD384816	CONSOLE BODY	38 x 48 x 15	143	22.94	45.88	25.06	30.19	17.60	20.00
ES-P3648	INTERIOR SUBPANEL	34.2 x 46.2	50	-	-	-	-	-	-
ES-FCD386016	CONSOLE BODY	38 x 60 x 15	171	22.94	57.88	25.06	30.19	17.60	20.00
ES-P3660	INTERIOR SUBPANEL	34.2 x 58.2	58	-	-	-	-	-	-
ES-FCD484823	CONSOLE BODY	48 x 48 x 18	201	27.16	45.88	29.25	33.88	24.06	26.47
ES-P4248	INTERIOR SUBPANEL	40.2 x 46.2	54	-	-	-	-	-	-
ES-FCD486023	CONSOLE BODY	48 x 60 x 18	239	27.16	57.88	29.25	33.88	24.06	26.47
ES-P4260	INTERIOR SUBPANEL	40.2 x 58.2	52	-	-	-	-	-	-

**NOTE:** Reference page 122 for sub panel layout

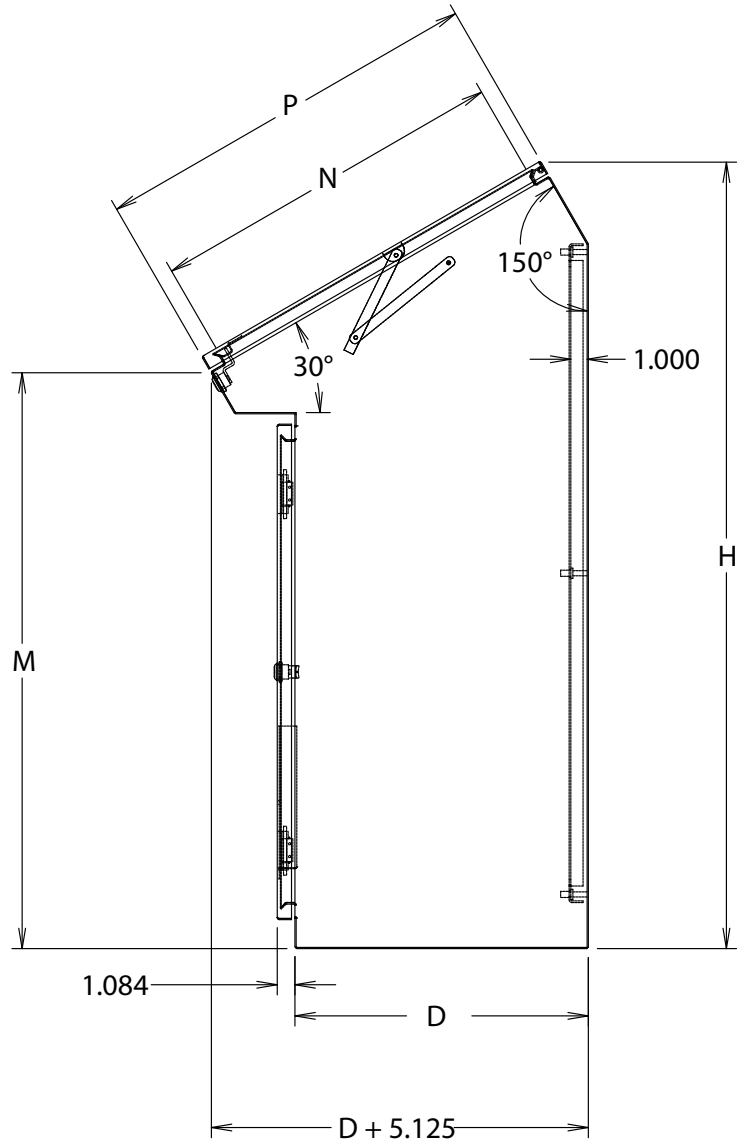
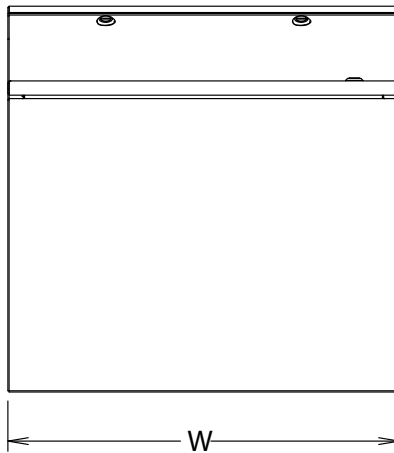
# Consoles

## Type 12 Single Door & Two Door

ES-FC



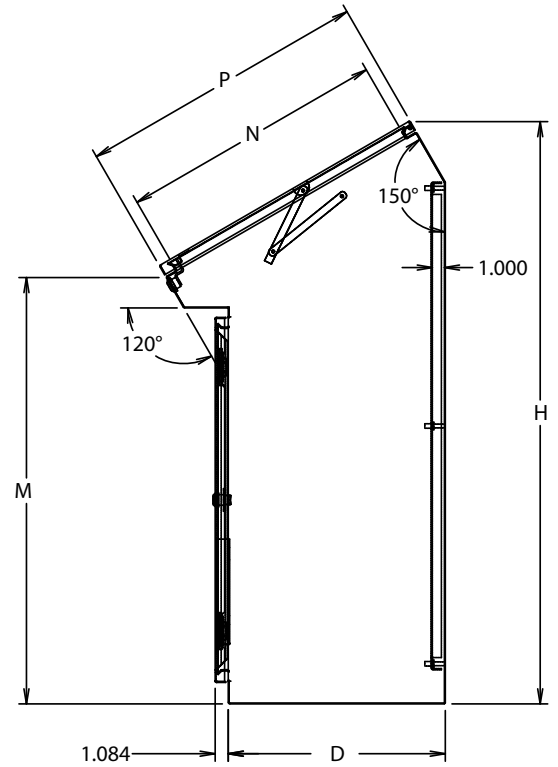
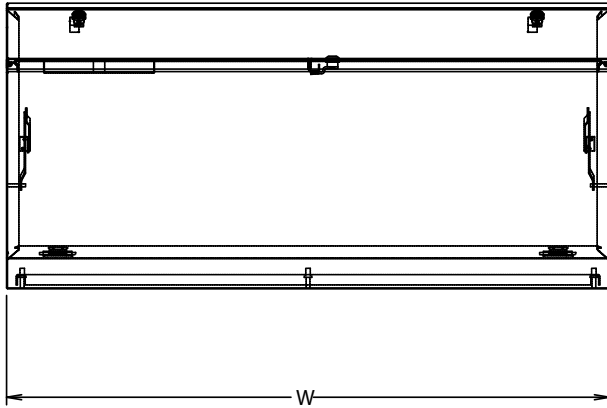
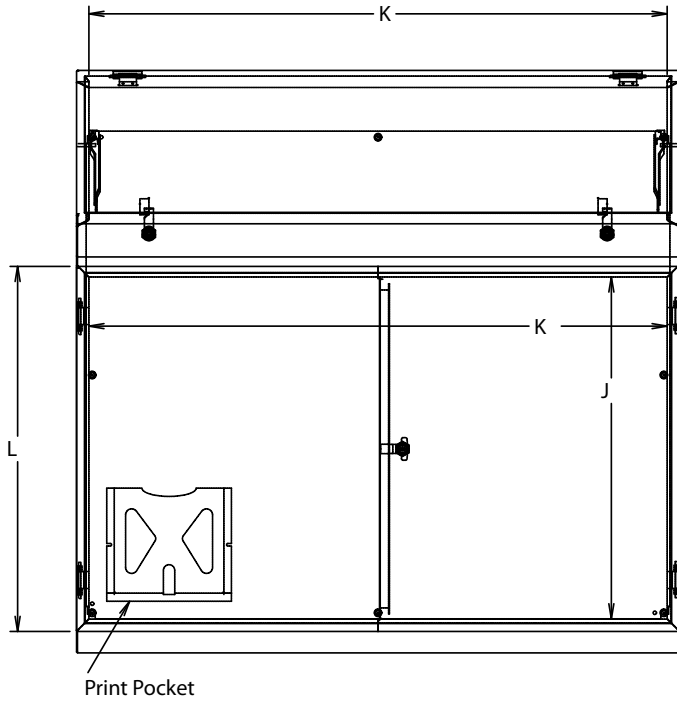
Print Pocket



**NOTE:**

1. 9" x 9" Print Pocket shipped inside enclosure.
2. Panels have formed flanges on all four sides when either Height or Width is equal to or greater than 22.2".
3. 30° changes to 20° when H <= 38

ES-FCO Two Door



**NOTE:**  
9" x 9" Print Pocket shipped inside enclosure.