

### SPSW3 – Fully Adjustable Swing Panel Kit

**APPLICATIONS** - Allows for additional component mounting on a 90 degree swing panel.

**Kit includes:**

- Brackets (fabricated from 12 gauge carbon steel).
- Panel (fabricated from 12 gauge carbon steel).
- Quarterturn Thumb Latch(es)
- Bolt on Continuous Hinge

**FINISH** - White polyester powder coat over cleaned phosphatized surfaces. Aluminum kits have a polished #4 finish.

**OPTIONS** - Schaefer's Electrical Enclosures, Inc. can modify standard enclosures to your specifications. Holes, cutouts, sizes, materials, and many more options are available. Quotations upon request.

**NOTE** - Must order the appropriate **SPSW3B** (according to the depth of enclosure) for full adjustability. These brackets will be welded in each corner of enclosure and the Swing panel kit will be attached to them. If installing with a door stop kit, holes must be drilled in Swing panel flange.

SPSW3's are for installation in SPN4, SPN12, ES, and SPLRHC only. Installation by Schaefer's Electrical Enclosures, Inc. will require an extra installation fee. (see price list) Some assembly required.

**Notes:**

1. Overall height of swing panel = H-2(material thickness)
2. Overall width of swing panel = W-2(material thickness)

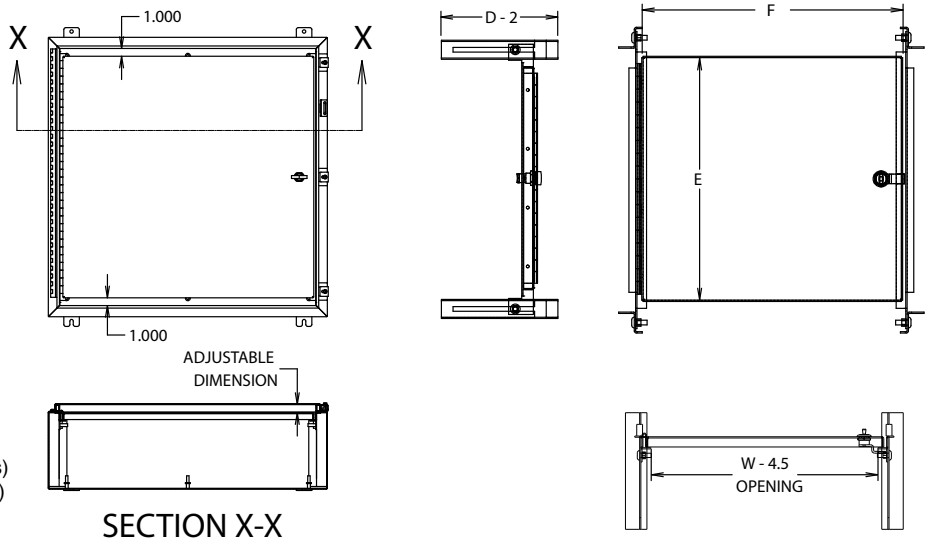
Catalog Number		Fits Enclosure Size	Panel Size	Shpg. Wt.
Carbon Steel # ++	Aluminum # ++	H x W	F x G (inches)	
SPSW3-1224	SPSW3AL-1224	12 x 24	7.13 x 20.38	14
SPSW3-1612	SPSW3AL-1612	16 x 12	11.13 x 8.38	9
SPSW3-1616	SPSW3AL-1616	16 x 16	11.13 x 12.38	12
SPSW3-1620	SPSW3AL-1620	16 x 20	11.13 x 16.38	15
SPSW3-2012	SPSW3AL-2012	20 x 12	15.13 x 8.38	11
SPSW3-2016	SPSW3AL-2016	20 x 16	15.13 x 12.38	15
SPSW3-2020	SPSW3AL-2020	20 x 20	15.13 x 16.38	19
SPSW3-2024	SPSW3AL-2024	20 x 24	15.13 x 20.38	23
SPSW3-2412	SPSW3AL-2412	24 x 12	19.13 x 8.38	14
SPSW3-2416	SPSW3AL-2416	24 x 16	19.13 x 12.38	19
SPSW3-2420	SPSW3AL-2420	24 x 20	19.13 x 16.38	23
SPSW3-2424	SPSW3AL-2424	24 x 24	19.13 x 20.38	27
SPSW3-2430	SPSW3AL-2430	24 x 30	19.13 x 26.38	34
SPSW3-3016	SPSW3AL-3016	30 x 16	25.13 x 12.38	23
SPSW3-3020	SPSW3AL-3020	30 x 20	25.13 x 16.38	28
SPSW3-3024	SPSW3AL-3024	30 x 24	25.13 x 20.38	34
SPSW3-3030	SPSW3AL-3030	30 x 30	25.13 x 26.38	43
SPSW3-3036	SPSW3AL-3036	30 x 36	25.13 x 32.38	52
SPSW3-3624	SPSW3AL-3624	36 x 24	31.13 x 20.38	42
SPSW3-3630	SPSW3AL-3630	36 x 30	31.13 x 26.38	52
SPSW3-3636	SPSW3AL-3636	36 x 36	31.13 x 32.38	62
SPSW3-4224	SPSW3AL-4224	42 x 24	37.13 x 20.38	48
SPSW3-4230	SPSW3AL-4230	42 x 30	37.13 x 26.38	60
SPSW3-4236	SPSW3AL-4236	42 x 36	37.13 x 32.38	72
SPSW3-4824	SPSW3AL-4824	48 x 24	43.13 x 20.38	55
SPSW3-4830	SPSW3AL-4830	48 x 30	43.13 x 26.38	69
SPSW3-4836	SPSW3AL-4836	48 x 36	43.13 x 32.38	83
SPSW3-6036	SPSW3AL-6036	60 x 36	55.13 x 32.38	104
SPSW3-7230	SPSW3AL-7230	72 x 30	67.13 x 26.38	104

Catalog Number	Enclosure Depth	Bracket Length	Shpg. Wt.
Brackets for the Swing Panel Kits			
SPSWB3-8	8	6	5
SPSWB3-10	10	8	6
SPSWB3-12	12	10	7
SPSWB3-16	16	14	8
SPSWB3-18	18	16	9
SPSWB3-20	20	18	10
SPSWB3-24	24	22	12

**NOTE:** Weights for Aluminum Swing panels are not listed. Please contact Schaefer's Electrical Enclosures, Inc. for Weight. Brackets for the Swing Panel Kits must be ordered separate based on depth of Enclosure.

++ For ES Enclosures modify the part number to have an E. (Exmaple SPSW3-30E1b). Panel sizes will vary depending on enclosure.



SECTION X-X