

Catalog Number		Fits Enclosure	Panel Size	Shpg. Wt.
Carbon Steel #	Aluminum #	Size H x W	F x G (inches)	
Freestanding Swing Panel Kits				
SPSW4-60P24	SPSW4AL-60P24	60 X 24	47.75 x 18.75	48
SPSW4-60P36	SPSW4AL-60P36	60 X 36	47.75 x 30.75	72
SPSW4-60P48	SPSW4AL-60P48	60 X 48	47.75 x 42.75	96
SPSW4-72P24	SPSW4AL-72P24	72 X 24	59.75 x 18.75	58
SPSW4-72P30	SPSW4AL-72P30	72 X 30	59.75 x 24.75	72
SPSW4-72P36	SPSW4AL-72P36	72 X 36	59.75 x 30.75	86
SPSW4-72P48	SPSW4AL-72P48	72 X 48	59.75 x 42.75	128
SPSW4-72P60	SPSW4AL-72P60	72 X 60	59.75 x 54.75	160
SPSW4-72P72	SPSW4AL-72P72	72 X 72	59.75 x 66.75	192
SPSW4-90P24	SPSW4AL-90P24	90 X 24	77.75 x 18.75	72
SPSW4-90P36	SPSW4AL-90P36	90 X 36	77.75 x 30.75	120
SPSW4-90P48	SPSW4AL-90P48	90 X 48	77.75 x 42.75	160
SPSW4-90P72	SPSW4AL-90P72	90 X 72	77.75 x 66.75	240

SPSW4 – Heavy Duty Swing Panel Kit

APPLICATIONS - Allows for additional component mounting on a 90 degree swing panel.

Kit includes:

- Brackets (fabricated from 12 gauge carbon steel).
- Panel (fabricated from 12 gauge carbon steel).
- Quarterturn Thumb Latch(es)
- Bolt on Continuous Hinge
- Not applicable for elite series
- Must designate if for a SS enclosure. Please designate part number with SS if for SS
- Wallmount SPN4, SPN12 order SPSW4 - HHWW

FINISH - White polyester powder coat over cleaned phosphatized surfaces. Aluminum kits have a polished #4 finish.

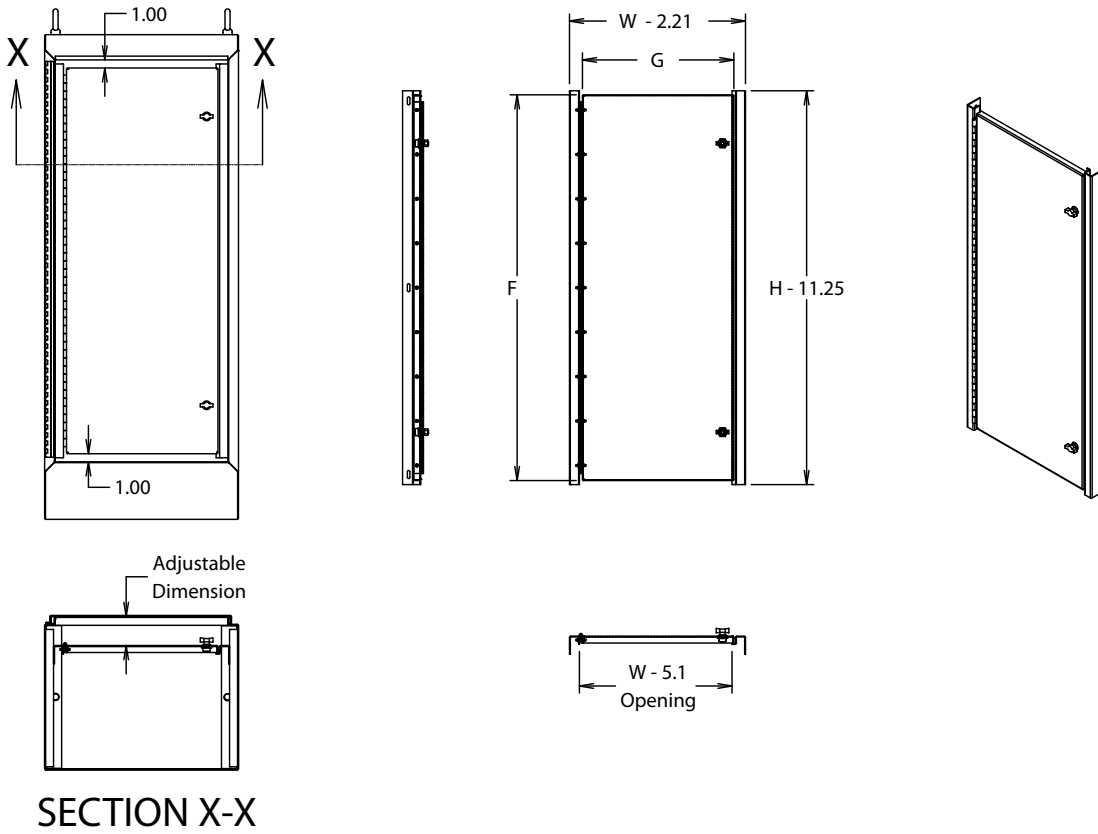
OPTIONS - Schaefer's Electrical Enclosures, Inc. can modify standard swing panels to your specifications. Holes, cutouts, sizes, materials, and many more options are available. Quotations upon request.

Installation by Schaefer's Electrical Enclosures, Inc. will require an extra installation fee. (see price list) Some assembly required.

Catalog Number		Fits Enclosure	Panel Size	Shpg. Wt.
Carbon Steel #	Aluminum #	Depth	H x W (inches)	
N12 Double Door Floor Mount Swing Panel Kits				
SPSW4-5442	SPSW4AL-5442	54 X 42	49.38 X 36.75	80
SPSW4-6048	SPSW4AL-6048	60 X 48	55.38 X 42.75	100
SPSW4-6060	SPSW4AL-6060	60 X 60	55.38 X 54.75	125
SPSW4-7260	SPSW4AL-7260	72 X 60	67.38 X 54.75	150
SPSW4-7272	SPSW4AL-7272	72 X 72	67.38 X 66.75	180

NOTE: Weights for Aluminum Swing panels are not listed. Please contact Schaefer's Electrical Enclosures, Inc. for Weight. Unistrut must be ordered separately based on depth of enclosure.

SPSW4 - Freestanding Swing Panel Kit



SPSW4 - Double Door Floor Mount Swing Panel Kit

