

Hinged Window Kit

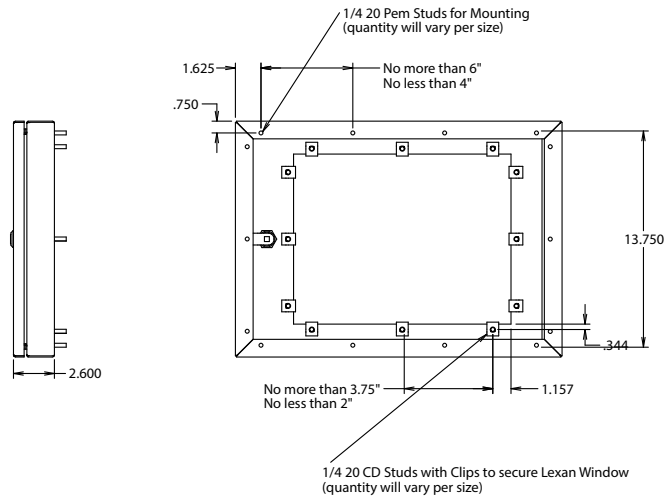
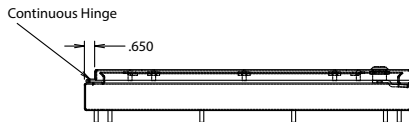
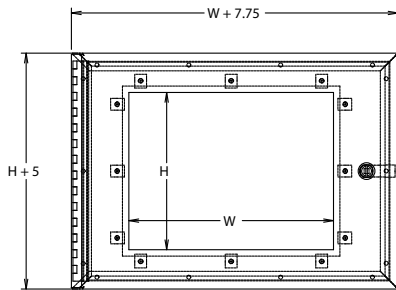
For use as a viewing window where access to components mounted behind the window is required. The window is 1/4" thick with scratch-resistant Thermoplastic. Easily mounted. All mounting hardware is provided. Tinted glass and safety

glass available upon request.

INDUSTRY STANDARDS

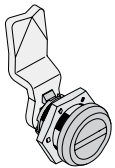
- Type 4 (up to 50 x 22)
- UL 4 listed

Carbon Steel #	Catalog Number		Frame Size			Viewing Area		Shpg. Wt.
	304 Stainless Steel #	316 Stainless Steel #	H	W	D	H	W	
SPHWK-1010	SPHWKSS-1010	SPHWKSS6-1010	15	17.75	2.6	10	10	12
SPHWK-124	SPHWKSS-124	SPHWKSS6-124	17	11.75	2.6	12	4	6
SPHWK-1212	SPHWKSS-1212	SPHWKSS6-1212	17	19.75	2.6	12	12	16
SPHWK-1520	SPHWKSS-1520	SPHWKSS6-1520	20	27.75	2.6	15	20	33
SPHWK-168	SPHWKSS-168	SPHWKSS6-168	21	15.75	2.6	16	8	15
SPHWK-1711	SPHWKSS-1711	SPHWKSS6-1711	22	18.75	2.6	17	11	21
SPHWK-208	SPHWKSS-208	SPHWKSS6-208	25	15.75	2.6	20	8	20
SPHWK-2010	SPHWKSS-2010	SPHWKSS6-2010	25	17.75	2.6	20	10	23
SPHWK-2012	SPHWKSS-2012	SPHWKSS6-2012	25	19.75	2.6	20	12	27
SPHWK-2017	SPHWKSS-2017	SPHWKSS6-2017	25	24.75	2.6	20	17	35
SPHWK-2020	SPHWKSS-2020	SPHWKSS6-2020	25	27.75	2.6	20	20	40
SPHWK-2021	SPHWKSS-2021	SPHWKSS6-2021	25	28.75	2.6	20	21	42
SPHWK-2424	SPHWKSS-2424	SPHWKSS6-2424	29	31.75	2.6	24	24	45
SPHWK-2615	SPHWKSS-2615	SPHWKSS6-2615	31	22.75	2.6	26	15	38
SPHWK-3215	SPHWKSS-3215	SPHWKSS6-3215	37	22.75	2.6	32	15	45
SPHWK-3636	SPHWKSS-3636	SPHWKSS6-3636	41	43.75	2.6	36	36	54



Replacement Latches & Clamps

The replacement latches and clamps shown on this page are standard features on Schaefer's Electrical Enclosures, Inc. and can be ordered separately.



Quarter Turn Slotted Latch

- Standard Elite UL Type 4, 4X, 12, and 13 enclosures only
- Made of black polymide
- Allows for a maximum of 26 inch spacing between latches
- Black polymide

Part Number	Description
R002-0100BLK/BLK	Black Polymide
R090-0100 SS	Stainless Steel

Note: Cams are ordered separately.



Type 4 Clamp

- Made of stainless steel
- Standard on Wall Mount UL Type 4 and 4X enclosures
- Assembly includes clamp, spring, and 1/4-20-304 or 1/4-28-316 threaded screw
- Allows for a maximum of 24 inch spacing between clamps

Part Number	Description
NH-41041	NEMA 4 Clamp 304
NH-41050	NEMA 4 Clamp 316



Type 12 Clamp

- Made of plated mild steel
- Standard Wall Mount UL Type 12 enclosures
- Assembly includes clamp, spring, and 1/4-20 threaded screw
- Allows for a maximum of 35 inch spacing between clamps

Part Number	Description
NH-20030	NEMA 12 Clamp