

Enclosure Accessories

Mounting Hardware & End Plates

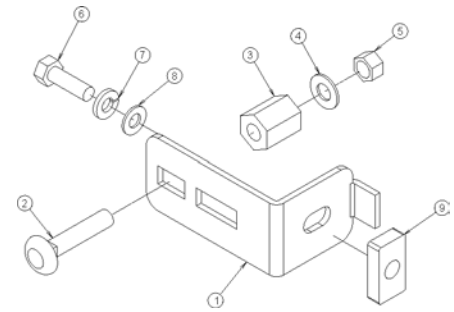
Free Standing Enclosure Clamping Nuts

These nuts are used to attach sub-panels and rack angles to the horizontal mounting channels and are ordered separately if mounting other equipment to the mounting channels.

Catalog Number	Description
G-1034	Clamping Nut

Sub Panel Mounting Bracket Kit for Freestanding Enclosures

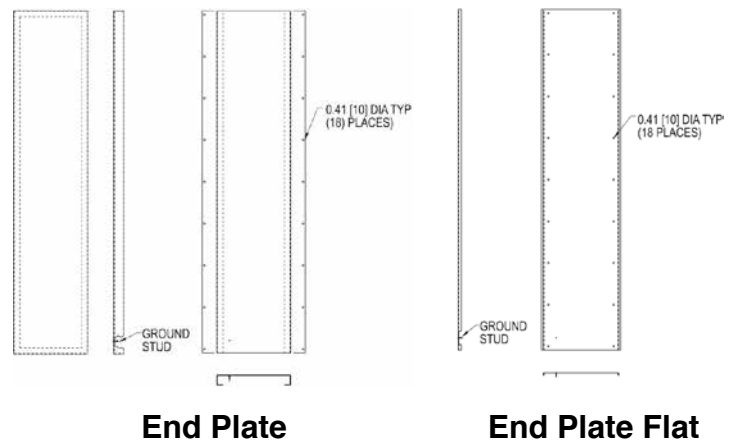
- Designed to allow customer to install sub panels on existing unistrut in freestanding enclosures.
- Fabricated from 10 gauge carbon steel with a white polyester powder finish.
- Includes all installation hardware.
- Custom enclosures may require custom brackets.



Catalog Number	Description
SP-SUBBRKT-B	Sub Panel Mounting Bracket Freestanding

Modular Enclosure End Plates

Catalog Number	Product Size H x D (inches)	Description
SP-MOD8418EP	84 x 18	Formed with gasket & bolts
SP-MOD8424EP	84 x 24	Formed with gasket & bolts
SP-MOD8418FEP	84 x 18	Flat with gasket & bolts
SP-MOD8424FEP	84 x 24	Flat with gasket & bolts
SP-MOD8418GK	84 x 18	Gasket kit with bolts
SP-MOD8424GK	84 x 24	Gasket kit with bolts



HEAVY DUTY ADAPTER KITS FOR HEAVY DUTY DISCONNECTS

Catalog No.	Description
ADPHD-SQ	Square D, GE -TDA, ITE Max Flex , ABB, Siemens FHOH, Westinghouse Flex Shaft
ADPHD-WH	Westinghouse
ADPHD-CH	Cutler Hammer C360/C370
ADPHD-GE	General Electric GE-TDF
ADPHD-ABV	Allen Bradley 1494V, 30/200 Amp
ADPHD-AMT	Westinghouse AMT
ADPHD-BLK	Blank
ADPHD-ABV-400	Allen Bradley 1494V/400
ADPHD-ITE	ITE
ADPHD-CHF	Cutler Hammer Flex Shaft
ADPHD-ABFLEX	Allen-Bradley 140U Flex Shaft
ADPHD-AB*	Allen Bradley 1494F or D

* Adapter plate not required for 200 Amp. 1494F. Reference instruction sheet provided with the kit.

