

SPSW2 - Semi-Adjustable Swing Panel Kit

APPLICATIONS - Allows for additional component mounting on a 90 degree swing panel.

Kit includes:

- Brackets with 3" Slots for semi-adjustability (fabricated from 12 gauge carbon steel).
- Panel (fabricated from 12 gauge carbon steel).
- Quarterturn Thumb Latch(es)
- Bolt on Continuous Hinge

FINISH - White polyester powder coat over cleaned phosphatized surfaces. Aluminum kits have a polished #4 finish.

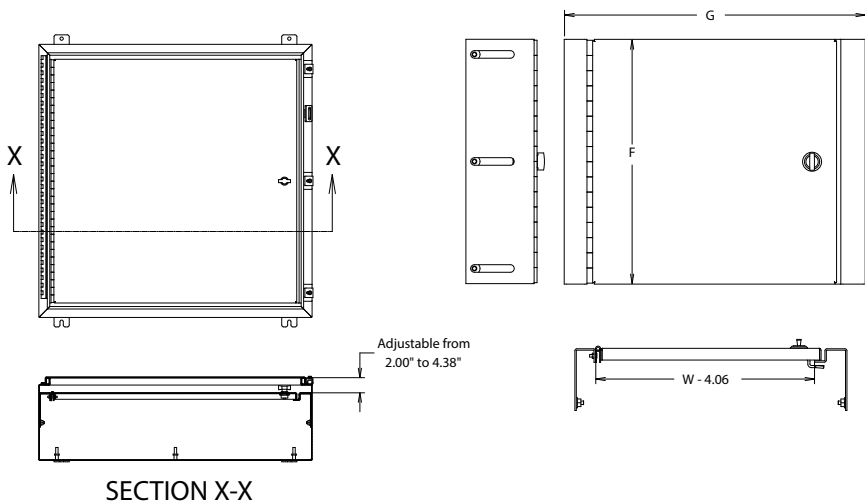
OPTIONS - Schaefer's Electrical Enclosures, Inc. can modify standard enclosures to your specifications. Holes, cutouts, sizes, materials, and many more options are available. Quotations upon request.

NOTE - SPSW2's are for installation in SPN4, SPN12, ES, and SPLRHC only. Enclosure must be studded or have holes drilled. Customer can order these and use them in existing enclosures. The customer will have to drill holes in the sides of the enclosure to mount. Installation by Schaefer's Electrical Enclosures, Inc. will require an extra installation fee. (see price list) Some assembly required.

Elite	Catalog Number		Fits Enclosures Size H x W	Panel Size F x G ++ (inches)	Shpg. Wt.
	SPN4, SPN12	3 R			
SPSW2E-1224	SPSW2N-1224	SPSW2R-1224	12 X 24	8.13 x 19.13	12
SPSW2E-1612	SPSW2N-1612	SPSW2R-1612	16 X 12	12.13 x 7.13	8
SPSW2E-1616	SPSW2N-1616	SPSW2R-1616	16 X 16	12.13 x 11.13	11
SPSW2E-1620	SPSW2N-1620	SPSW2R-1620	16 X 20	12.13 x 15.13	14
SPSW2E-2012	SPSW2N-2012	SPSW2R-2012	20 X 12	16.13 x 7.13	10
SPSW2E-2016	SPSW2N-2016	SPSW2R-2016	20 X 16	16.13 x 11.13	14
SPSW2E-2020	SPSW2N-2020	SPSW2R-2020	20 X 20	16.13 x 15.13	18
SPSW2E-2024	SPSW2N-2024	SPSW2R-2024	20 X 24	16.13 x 19.13	22
SPSW2E-2412	SPSW2N-2412	SPSW2R-2412	24 X 12	20.13 x 7.13	12
SPSW2E-2416	SPSW2N-2416	SPSW2R-2416	24 X 16	20.13 x 11.13	17
SPSW2E-2420	SPSW2N-2420	SPSW2R-2420	24 X 20	20.13 x 15.13	22
SPSW2E-2424	SPSW2N-2424	SPSW2R-2424	24 X 24	20.13 x 19.13	26
SPSW2E-2430	SPSW2N-2430	SPSW2R-2430	24 X 30	20.13 x 25.13	33
SPSW2E-3016	SPSW2N-3016	SPSW2R-3016	30 X 16	26.13 x 11.13	22
SPSW2E-3020	SPSW2N-3020	SPSW2R-3020	30 X 20	26.13 x 15.13	28
SPSW2E-3024	SPSW2N-3024	SPSW2R-3024	30 X 24	26.13 x 19.13	33
SPSW2E-3030	SPSW2N-3030	SPSW2R-3030	30 X 30	26.13 x 25.13	41
SPSW2E-3036	SPSW2N-3036	SPSW2R-3036	30 X 36	26.13 x 31.13	49
SPSW2E-3624	SPSW2N-3624	SPSW2R-3624	36 X 24	32.13 x 19.13	40
SPSW2E-3630	SPSW2N-3630	SPSW2R-3630	36 X 30	32.13 x 25.13	49
SPSW2E-3636	SPSW2N-3636	SPSW2R-3636	36 X 36	32.13 x 31.13	59
SPSW2E-4224	SPSW2N-4224	SPSW2R-4224	42 X 24	38.13 x 19.13	46
SPSW2E-4230	SPSW2N-4230	SPSW2R-4230	42 X 30	38.13 x 25.13	58
SPSW2E-4236	SPSW2N-4236	SPSW2R-4236	42 X 36	38.13 x 31.13	70
SPSW2E-4824	SPSW2N-4824	SPSW2R-4824	48 X 24	44.13 x 19.13	53
SPSW2E-4830	SPSW2N-4830	SPSW2R-4830	48 X 30	44.13 x 25.13	66
SPSW2E-4836	SPSW2N-4836	SPSW2R-4836	48 X 36	44.13 x 31.13	79
SPSW2E-6036	SPSW2N-6036	SPSW2R-6036	60 X 36	56.13 x 31.13	99
SPSW2E-7230	SPSW2N-7230	SPSW2R-7230	72 X 30	68.13 x 25.13	99

NOTE: Weights for Aluminum Swing panels are not listed. Please contact Schaefer's Electrical Enclosures, Inc. for Weight.

++ Panel sizes for SPSW2E and SPSW2R versions will be slightly larger.



SECTION X-X