



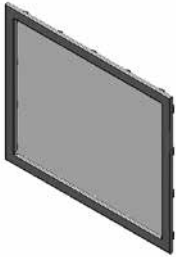
## Filters for Louver Kits

Designed for use with Louver Plate Kit. Mounting holes on filter bracket align with louver mounting holes. Hardware supplied with louvers also secure filter brackets in place.

Brackets are fabricated from .080 aluminum.

Custom sizes, etc., can be provided on special order.

Part Number	Use with Louver Kit
SP-FLT33	SP-VK33
SP-FLT34	SP-VK34
SP-FLT43	SP-VK43
SP-FLT44	SP-VK44
SP-FLT64	SP-VK64
SP-FLT66	SP-VK66
SP-FLT84	SP-VK84
SP-FLT86	SP-VK86
SP-FLT88	SP-VK88
SP-FLT812	SP-VK812

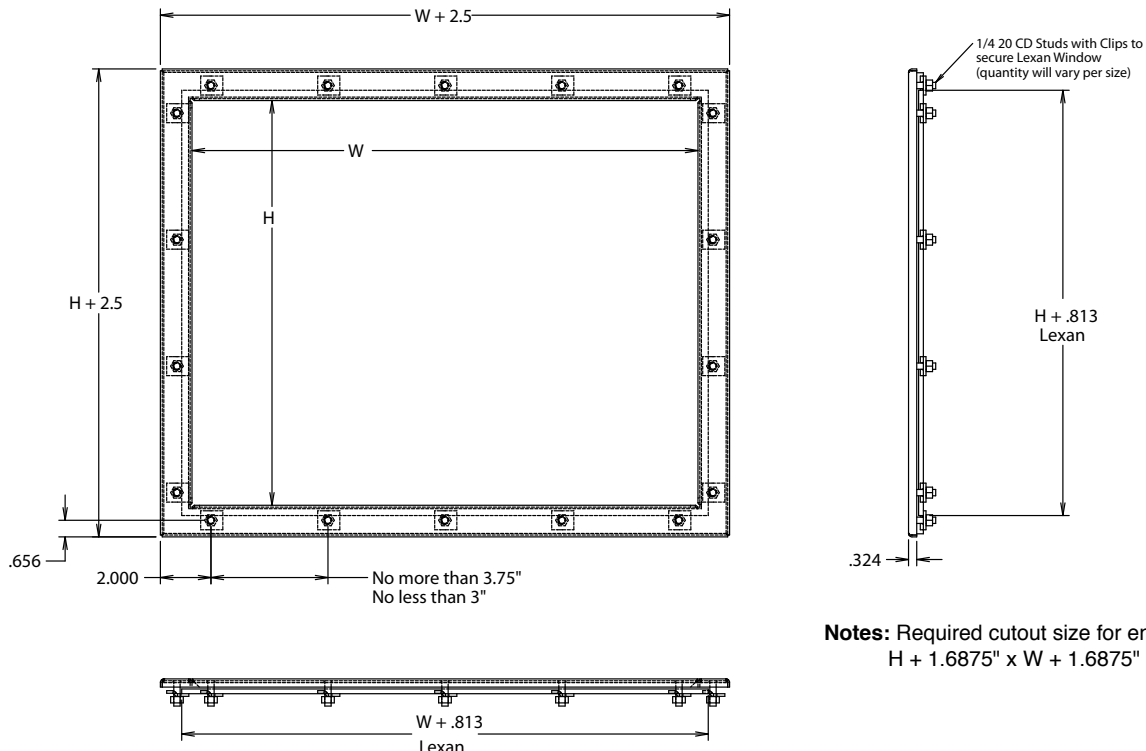


## Window Kits

These kits are easily installed by making a cutout in the enclosure and attaching the window and frame in place (hardware furnished). Frames are made from heavy gauge carbon steel and have a standard RAL 7035 texture polyester powder coat finish on interior and exterior of enclosures. Recoatable, smooth, white or ANSI-61 gray available at no

charge. Standard RAL and custom match finishes available for an additional charge, please contact Schaefer's Electrical Enclosures, Inc. for further assistance. All powder coat finishes applied over cleaned phosphatized surfaces. Type 304 and type 316 stainless steel are available with a polished #4 finish. The window is scratch-resistant 1/4" Thermoplastic. Oil-resistant gasket ensures a tight seal around the perimeter of the window and frame. All mounting hardware is furnished. Custom sizes and materials can be provided on special order. Consult factory for information. Tinted glass and safety glass are available upon request. These kits are UL type 4 labeled. The maximum size that window kits can be UL labeled is 50x22.

Carbon Steel #	Catalog Number		Frame Size		Viewing Area		Shpg. Wt.
	304 Stainless Steel #	316 Stainless Steel #	H	W	H	W	
SPWK-53	SPWKSS-53	SPWKSS6-53	7.5	5.5	5	3	1
SPWK-95	SPWKSS-95	SPWKSS6-95	11.5	8	9	5.5	3
SPWK-1010	SPWKSS-1010	SPWKSS6-1010	12.5	12.5	10	10	4
SPWK-1212	SPWKSS-1212	SPWKSS6-1212	14.5	14.5	12	12	5
SPWK-133	SPWKSS-133	SPWKSS6-133	15.5	5.5	13	3	3
SPWK-138	SPWKSS-138	SPWKSS6-138	15.5	10.5	13	8	4
SPWK-1711	SPWKSS-1711	SPWKSS6-1711	19.5	13.5	17	11	6
SPWK-175	SPWKSS-175	SPWKSS6-175	19.5	7.5	17	5	4
SPWK-2016	SPWKSS-2016	SPWKSS6-2016	22.5	18.5	20	16	8
SPWK-2017	SPWKSS-2017	SPWKSS6-2017	22.5	19.5	20	17	8
SPWK-2020	SPWKSS-2020	SPWKSS6-2020	22.5	22.5	20	20	10
SPWK-2315	SPWKSS-2315	SPWKSS6-2315	25.5	17.5	23	15	8
SPWK-2420	SPWKSS-2420	SPWKSS6-2420	26.5	22.5	24	20	9
SPWK-2424	SPWKSS-2424	SPWKSS6-2424	26.5	26.5	24	24	12
SPWK-2919	SPWKSS-2919	SPWKSS6-2919	31.5	21.5	29	19	12
SPWK-3523	SPWKSS-3523	SPWKSS6-352	37.5	25.5	35	23	16
SPWK-3624	SPWKSS-3624	SPWKSS6-3624	38.5	26.5	36	24	17
SPWK-3636	SPWKSS-3636	SPWKSS6-3636	38.5	38.5	36	36	25



**Notes:** Required cutout size for enclosure is:  
 $H + 1.6875" \times W + 1.6875"$