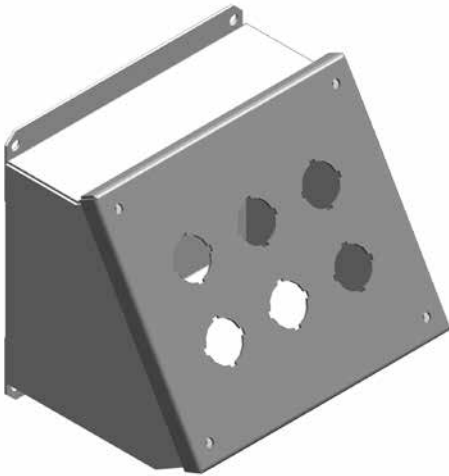


## Type 12 Sloping Front Oil-Tight Pushbutton Enclosures



**APPLICATIONS** - Designed to provide protection from oil, dirt, and dust. Universal

holes accommodate many types of pilot lights, switches and pushbuttons.

**CONSTRUCTION** - Fabricated from 14 gauge carbon steel or type 304 stainless steel with continuously welded seams. Enclosures feature:

- Cover secured with captivated screws
- Oil resistant gasket applied to the cover
- External mounting feet for wall or machinery mounting
- Universal pushbutton holes (30.5mm)
- 22mm available with -m addition to part number
- Enclosures 7.25 x 6.25 x 6.75 in. (SPPBA-4S) and larger have internal detachable hinge to hold cover during wiring

**FINISH** - Standard RAL 7035 texture polyester powder coat finish on interior

and exterior of enclosures. Recoatable, smooth, white or ANSI-61 gray available at no charge. Standard RAL and custom match finishes available for an additional charge, please contact Schaefer's Electrical Enclosures, Inc. for further assistance. All powder coat finishes applied over cleaned phosphatized surfaces. Stainless steel enclosures have a polished #4 finish.

**OPTIONS** - Schaefer's Electrical Enclosures, Inc. can modify standard enclosures or custom design enclosures according to your specifications. Custom sizes, materials, and many more options are available. Quotations upon request.

### INDUSTRY STANDARDS

- UL 50 Listed
- CUL 50 Listed
- Type 4, 4X, 12

Catalog Number		Hole Location									
Carbon Steel 30.5mm hole	304 Stainless Steel 30.5mm hole	Carbon Steel 22.5mm hole	304 Stainless Steel 22.5mm hole	Holes	Enclosure Size H x W x D	Shpg. Wt.	J	K	E	Y	
SPPBA-1	SPPBASS-1	SPPBA-1-M	SPPBASS-1-M	1	3.5 x 3.25 x 4.87	7	1.86	1.73	3.34	3.53	
SPPBA-2	SPPBASS-2	SPPBA-2-M	SPPBASS-2-M	2	3.5 x 5.5 x 4.87	4	1.86	1.73	3.34	3.53	
SPPBA-3	SPPBASS-3	SPPBA-3-M	SPPBASS-3-M	3	3.5 x 7.75 x 4.87	4	1.86	1.73	3.34	3.53	
SPPBA-4	SPPBASS-4	SPPBA-4-M	SPPBASS-4-M	4	3.5 x 10 x 4.87	5	1.86	1.73	3.34	3.53	
SPPBA-4S	SPPBASS-4S	SPPBA-4S-M	SPPBASS-4S-M	4	7.25 x 6.25 x 6.75	6	2.61	2.11	5.22	6.78	
SPPBA-6	SPPBASS-6	SPPBA-6-M	SPPBASS-6-M	6	7.25 x 8.5 x 6.75	7	2.61	2.11	5.22	6.78	
SPPBA-8	SPPBASS-8	SPPBA-8-M	SPPBASS-8-M	8	7.25 x 10.75 x 6.75	9	2.61	2.11	5.22	6.78	
SPPBA-9	SPPBASS-9	SPPBA-9-M	SPPBASS-9-M	9	9.5 x 8.50 x 7.87	10	2.61	2.11	6.34	8.73	
SPPBA-10	SPPBASS-10	SPPBA-10-M	SPPBASS-10-M	10	7.25 x 13 x 6.75	13	2.61	2.11	5.22	6.78	
SPPBA-12	SPPBASS-12	SPPBA-12-M	SPPBASS-12-M	12	7.25 x 15.25 x 6.75	13	2.61	2.11	5.22	6.78	
SPPBA-12S	SPPBASS-12S	SPPBA-12S-M	SPPBASS-12S-M	12	11.75 x 8.50 x 9	11	2.61	2.11	7.47	10.69	
SPPBA-16	SPPBASS-16	SPPBA-16-M	SPPBASS-16-M	16	7.25 x 19.75 x 6.75	16	2.61	2.11	5.22	6.78	
SPPBA-16S	SPPBASS-16S	SPPBA-16S-M	SPPBASS-16S-M	16	11.75 x 10.75 x 9	13	2.61	2.11	7.47	10.69	
SPPBA-20	SPPBASS-20	SPPBA-20-M	SPPBASS-20-M	20	11.75 x 13 x 9	16	2.61	2.11	7.49	10.69	
SPPBA-25	SPPBASS-25	SPPBA-25-M	SPPBASS-25-M	25	14 x 13 x 10.12	20	2.61	2.11	8.59	12.62	
SPPBA-30	SPPBASS-30	SPPBA-30-M	SPPBASS-30-M	30	14 x 15.25 x 10.12	20	2.61	2.11	8.59	12.62	

### SPPBA • SPPBASS

