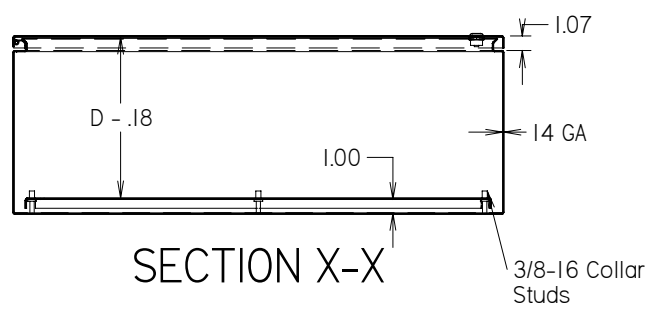


SECTION Y-Y



SECTION X-X