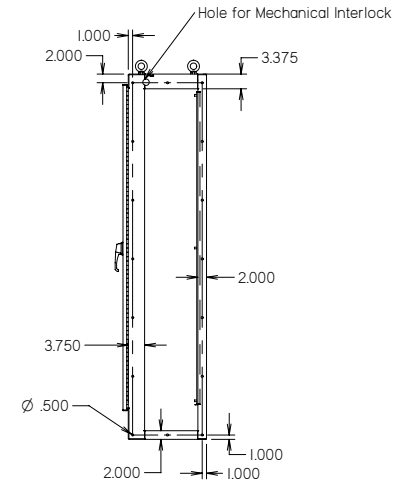
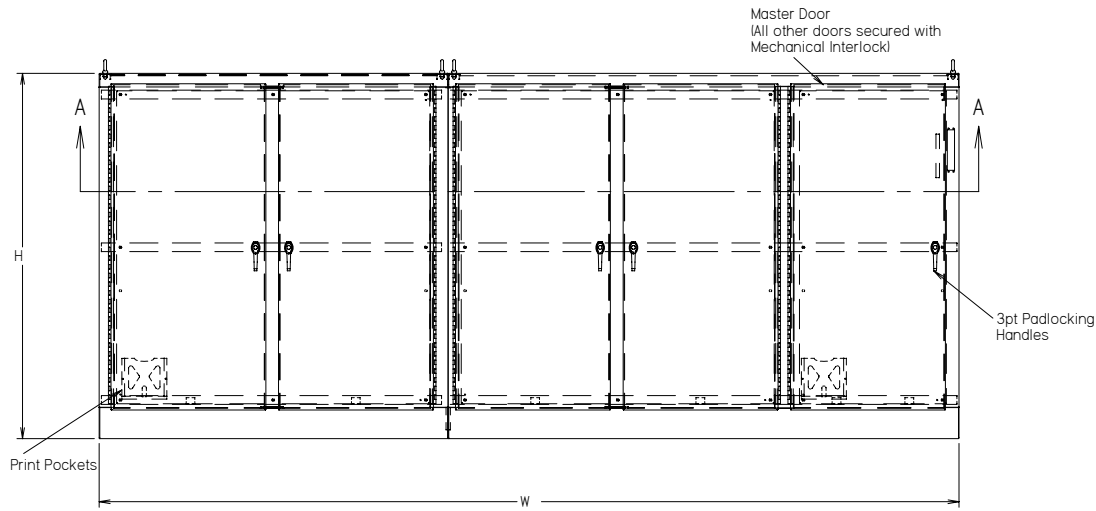


Doors Removed

Enclosure to have to sections to bolt together
Sections to be sealed with gasket and secured
with 3/8" bolts



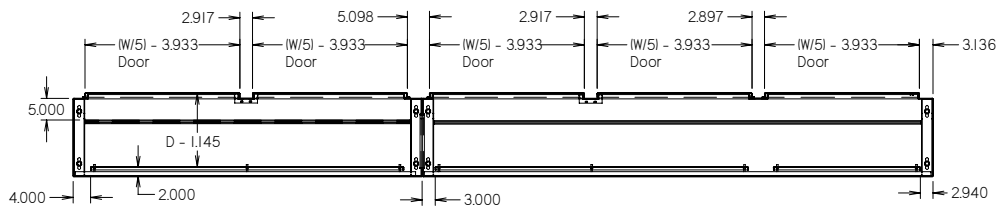
Open end of Section I



Print Pockets

3pt Padlocking
Handles

Master Door
(All other doors secured with
Mechanical Interlock)



SECTION A-A