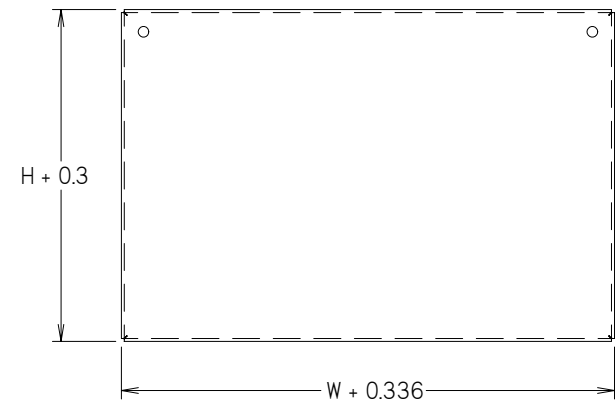


VIEW A-A  
Lid Removed



Lid