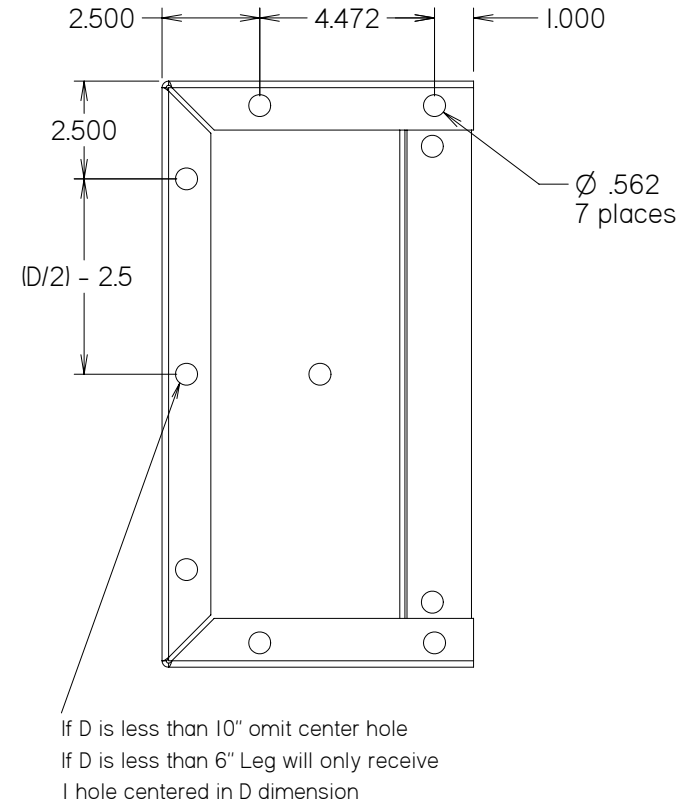


Bottom
(mounting holes)



Top